



# SERVICE PARTS LIST

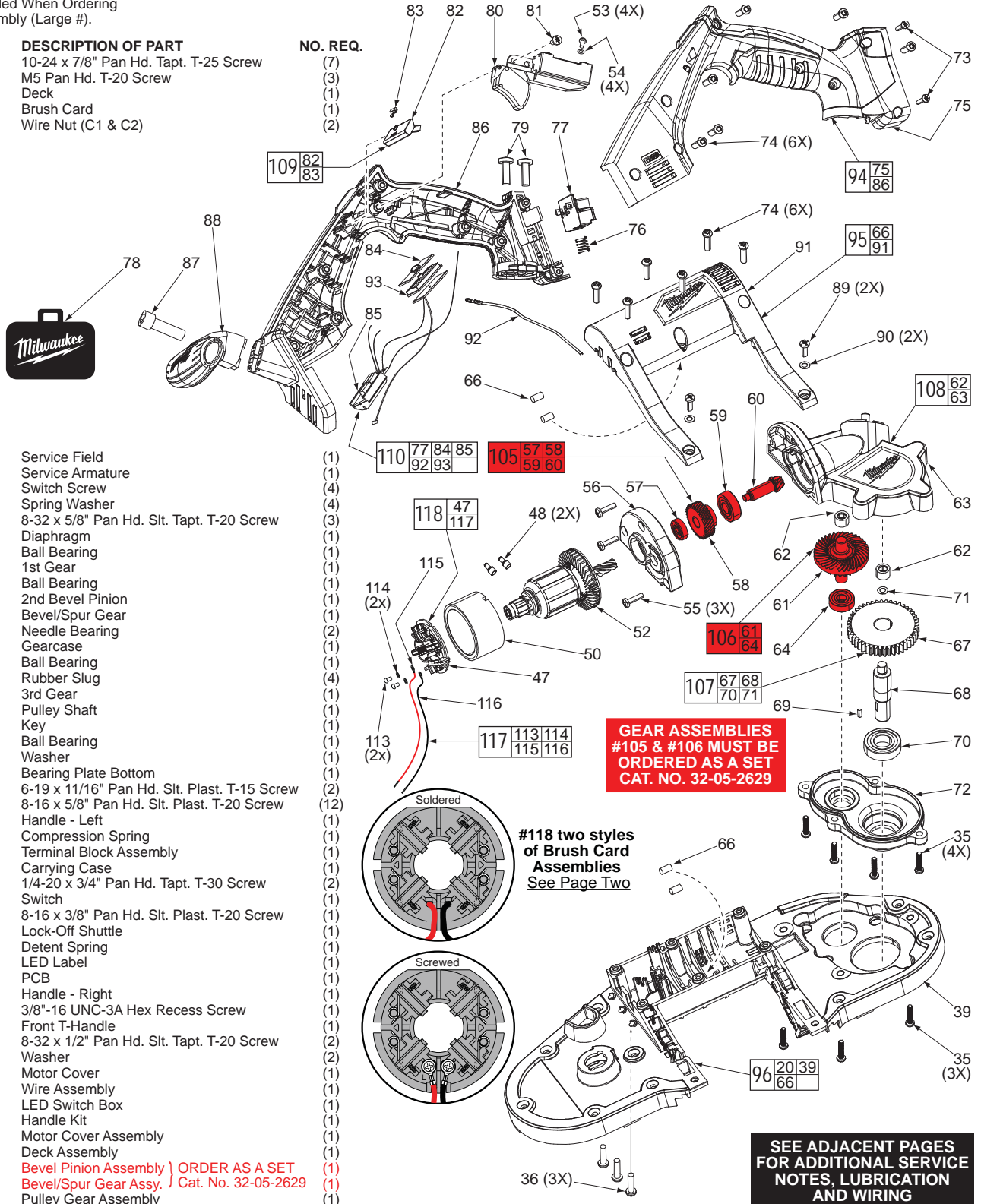
**BULLETIN NO.**  
**54-40-2601**

|  |         |  |                   |
|--|---------|--|-------------------|
| SPECIFY CATALOG NO. AND SERIAL NO. WHEN ORDERING PARTS |         | REVISED BULLETIN<br>54-40-2600                         | DATE<br>Aug. 2014 |
| <b>CORDLESS 18V COMPACT BAND SAW</b>                   |         | WIRING INSTRUCTION<br><b>SEE PAGES 5, 6, 7 &amp; 8</b> |                   |
| CATALOG NO.  | 2629-20 | STARTING SERIAL NO.                                    | C14B              |

**EXAMPLE:**  
00 0 Component Parts (Small #)  
Are Included When Ordering  
The Assembly (Large #).

| FIG. | PART NO.   | DESCRIPTION OF PART                   | NO. REQ. |
|------|------------|---------------------------------------|----------|
| 35   | 06-82-5574 | 10-24 x 7/8" Pan Hd. Tapt. T-25 Screw | (7)      |
| 36   | 06-82-0035 | M5 Pan Hd. T-20 Screw                 | (3)      |
| 37   | -----      | Deck                                  | (1)      |
| 39   | -----      | Brush Card                            | (1)      |
| 48   | 22-56-0150 | Wire Nut (C1 & C2)                    | (2)      |

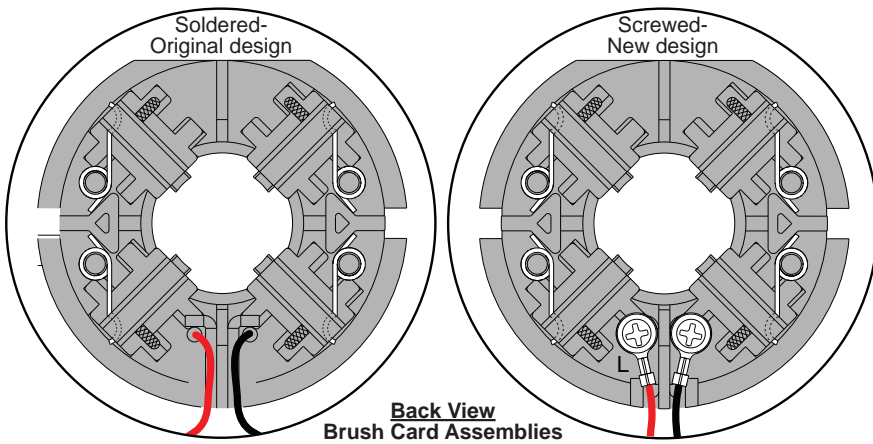
|     |            |   |      |
|-----|------------|---|------|
| 50  | 18-01-3015 | Service Field                                   | (1)  |
| 52  | 16-01-3091 | Service Armature                                | (1)  |
| 53  | 05-78-0305 | Switch Screw                                    | (4)  |
| 54  | 45-88-1890 | Spring Washer                                   | (4)  |
| 55  | 06-82-5320 | 8-32 x 5/8" Pan Hd. Slit. Tapt. T-20 Screw      | (3)  |
| 56  | 28-28-0060 | Diaphragm                                       | (1)  |
| 57  | 02-04-0645 | Ball Bearing                                    | (1)  |
| 58  | -----      | 1st Gear  | (1)  |
| 59  | -----      | Ball Bearing                                    | (1)  |
| 60  | -----      | 2nd Bevel Pinion                                | (1)  |
| 61  | -----      | Bevel/Spur Gear                                 | (1)  |
| 62  | -----      | Needle Bearing                                  | (2)  |
| 63  | -----      | Gearcase  | (1)  |
| 64  | 02-04-0135 | Ball Bearing                                    | (1)  |
| 66  | 45-30-0255 | Rubber Slug                                     | (4)  |
| 67  | -----      | 3rd Gear  | (1)  |
| 68  | -----      | Pulley Shaft                                    | (1)  |
| 69  | 43-96-0105 | Key   | (1)  |
| 70  | 02-04-1525 | Ball Bearing                                    | (1)  |
| 71  | 45-88-0406 | Washer  | (1)  |
| 72  | 28-14-0180 | Bearing Plate Bottom                            | (1)  |
| 73  | 06-82-7261 | 6-19 x 11/16" Pan Hd. Slit. Plast. T-15 Screw   | (2)  |
| 74  | 06-82-7270 | 8-16 x 5/8" Pan Hd. Slit. Plast. T-20 Screw     | (12) |
| 75  | -----      | Handle - Left                                   | (1)  |
| 76  | 40-50-0650 | Compression Spring                              | (1)  |
| 77  | -----      | Terminal Block Assembly                         | (1)  |
| 78  | 42-55-0100 | Carrying Case                                   | (1)  |
| 79  | 06-82-5294 | 1/4-20 x 3/4" Pan Hd. Tapt. T-30 Screw          | (2)  |
| 80  | 23-66-1000 | Switch  | (1)  |
| 81  | 06-82-7251 | 8-16 x 3/8" Pan Hd. Slit. Plast. T-20 Screw     | (1)  |
| 82  | -----      | Lock-Off Shuttle                                | (1)  |
| 83  | 40-50-0665 | Detent Spring                                   | (1)  |
| 84  | 10-20-1865 | LED Label                                       | (1)  |
| 85  | -----      | PCB   | (1)  |
| 86  | -----      | Handle - Right                                  | (1)  |
| 87  | 06-82-0045 | 3/8"-16 UNC-3A Hex Recess Screw                 | (1)  |
| 88  | 31-44-0095 | Front T-Handle                                  | (1)  |
| 89  | 06-82-5316 | 8-32 x 1/2" Pan Hd. Slit. Tapt. T-20 Screw      | (2)  |
| 90  | 45-88-0825 | Washer  | (2)  |
| 91  | -----      | Motor Cover                                     | (1)  |
| 92  | -----      | Wire Assembly                                   | (1)  |
| 93  | -----      | LED Switch Box                                  | (1)  |
| 94  | 31-44-0305 | Handle Kit                                      | (1)  |
| 95  | 31-15-0205 | Motor Cover Assembly                            | (1)  |
| 96  | 28-90-0015 | Deck Assembly                                   | (1)  |
| 105 | ●          | Bevel Pinion Assembly } ORDER AS A SET (1)      |      |
| 106 | ●          | Bevel/Spur Gear Assy. } Cat. No. 32-05-2629 (1) |      |
| 107 | 14-73-0040 | Pulley Gear Assembly                            | (1)  |
| 108 | 14-30-0050 | Top Gearcase Assembly                           | (1)  |
| 109 | 45-24-0055 | Shuttle Lock-Off Kit                            | (1)  |
| 110 | 14-20-0025 | Electronics Kit                                 | (1)  |
| 113 | 05-88-0928 | M3 x 5mm Pan Hd. T-10 Screw                     | (2)  |
| 114 | 45-88-1980 | Spring washer                                   | (2)  |
| 115 | -----      | Leadwire Assembly - Red                         | (1)  |
| 116 | -----      | Leadwire Assembly - Black                       | (1)  |
| 117 | 14-46-2397 | Leadwire/Screw/Washer Kit                       | (1)  |
| 118 | 14-46-2016 | Brush Card Assembly                             | (1)  |



**FIG. NOTE:**  
64,70 Orient the Ball Bearings so the seal faces the gears.

68 Apply approximately .1g Loctite® C5-A Copper Anti-Seize (or equivalent) to bottom portion of Pulley Shaft that fits into Rear Pulley (4).

**MILWAUKEE ELECTRIC TOOL CORPORATION**  
13135 W. LISBON RD., BROOKFIELD, WI 53005

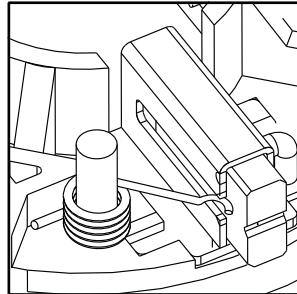
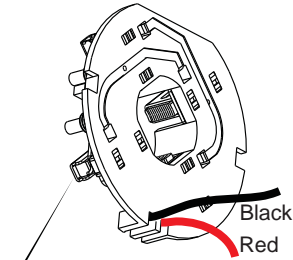


**NOTE:**  
There are two Brush Card Assembly designs.

On the original brush card design the red and black wires that go to the switch are soldered on the brush card.

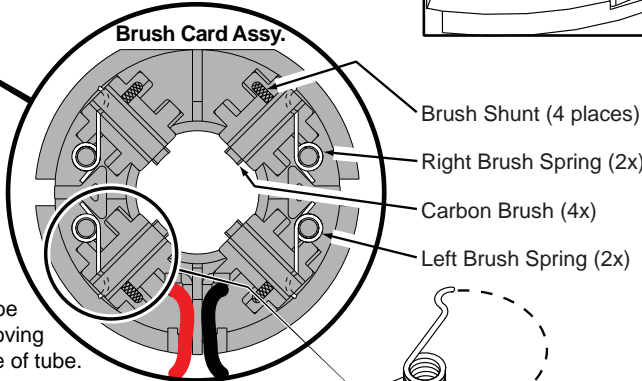
On the new brush card design the red and black wires that go to the switch are secured to the brush card with spring washers and screws.

The new brush card design is **directly interchangeable** in tools that have the old brush card design.



**NOTE:**  
As an aid to prevent damage to the armature commutator or the brushes when removing and installing the armature assembly, it is recommended to pull the carbon brushes partially back into the brush tube. The carbon brushes will be held in place with the brush spring moving from the rear of the brush to the side of the brush.

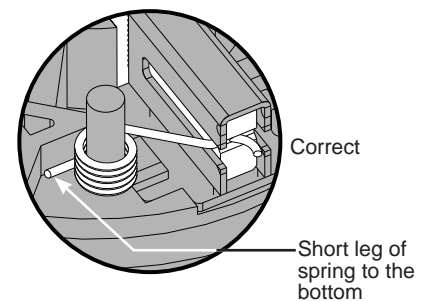
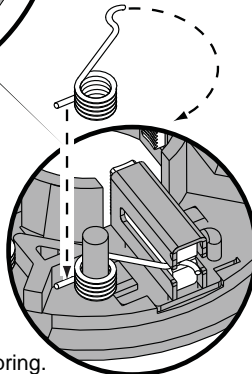
In the unlikely event that the spring pops off follow the instructions below.



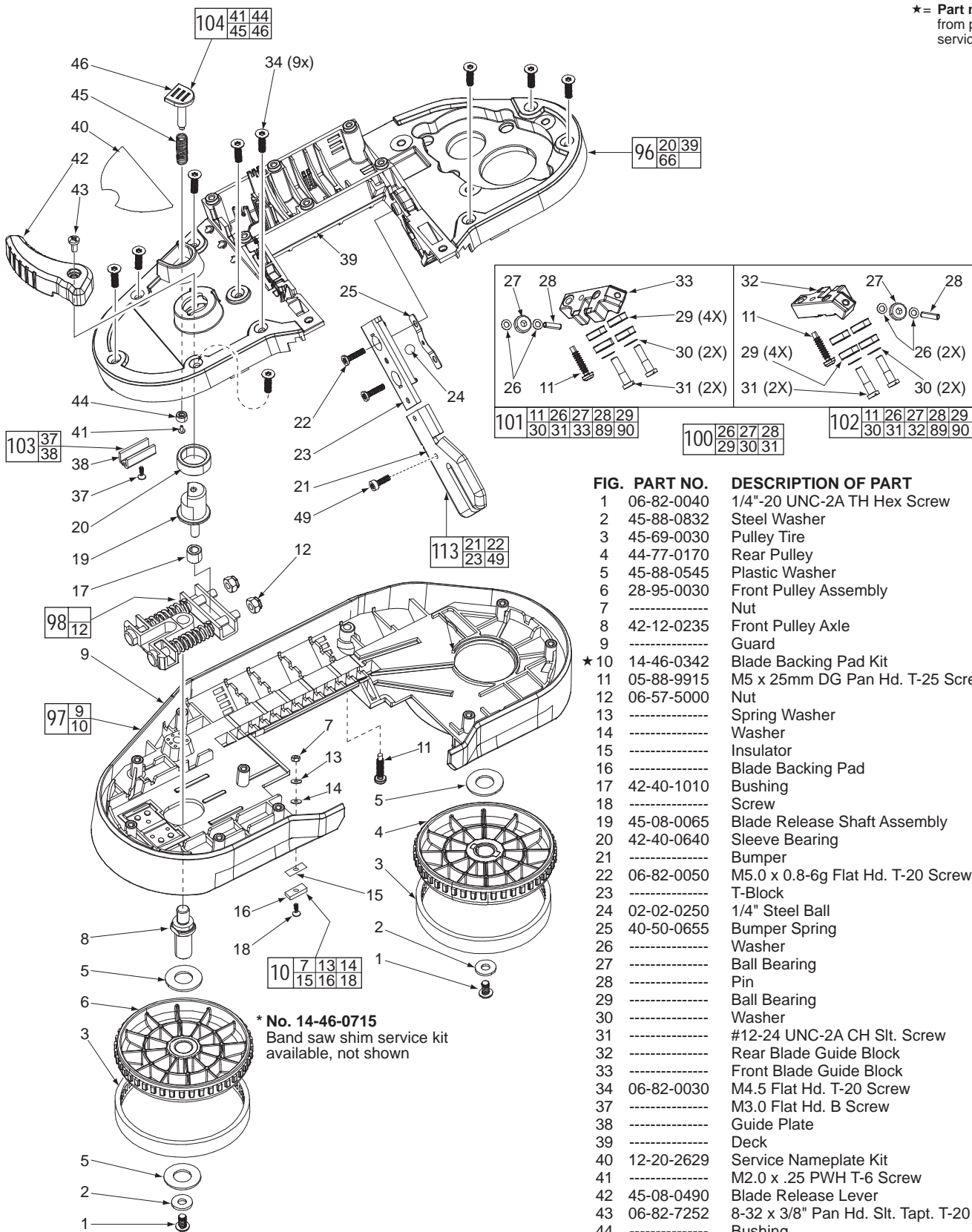
Be sure carbon brush is in brush tube with brush shunt moving freely in side groove of tube.

Place brush spring over post with short leg positioned downward as shown. Be sure spring is completely down with short leg trapped against 'Y' shaped wall on brush card.

While holding spring in place, bring the long leg of spring over the brush tube and through rear opening of tube. Position rounded hook of spring in groove on back of carbon brush. Be sure to check for free movement between carbon brush, brush shunt and brush spring.



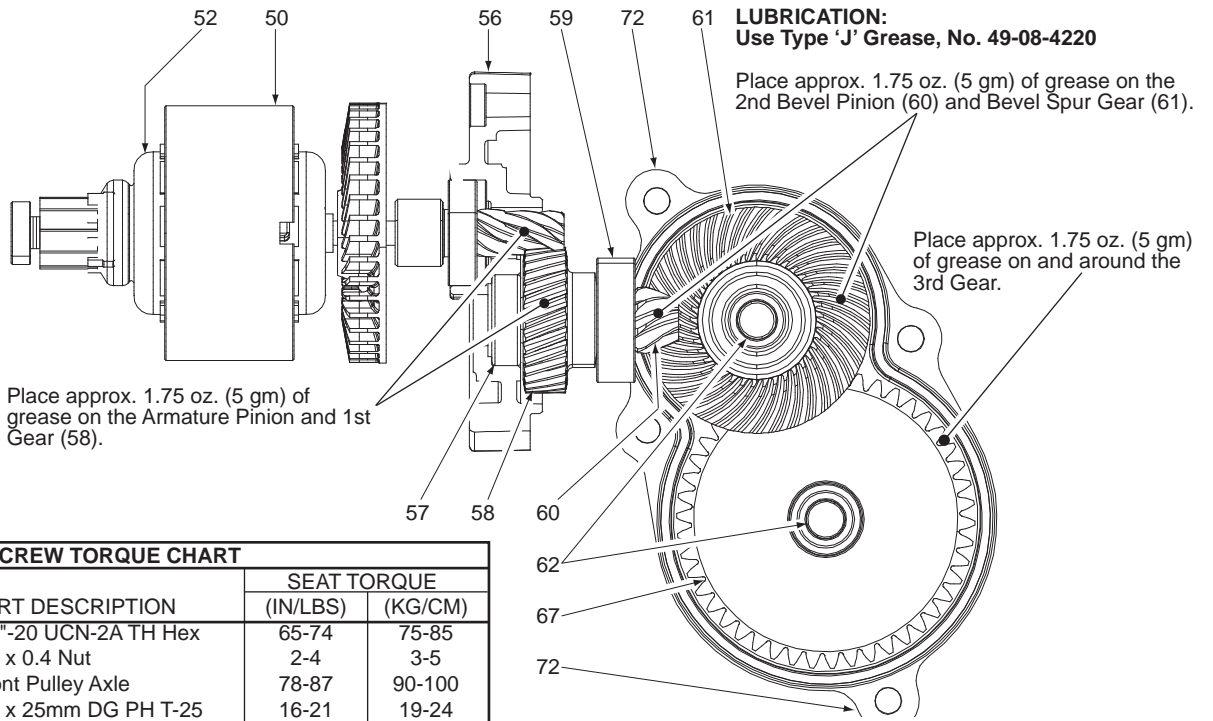
★ = Part number change from previous service parts list.



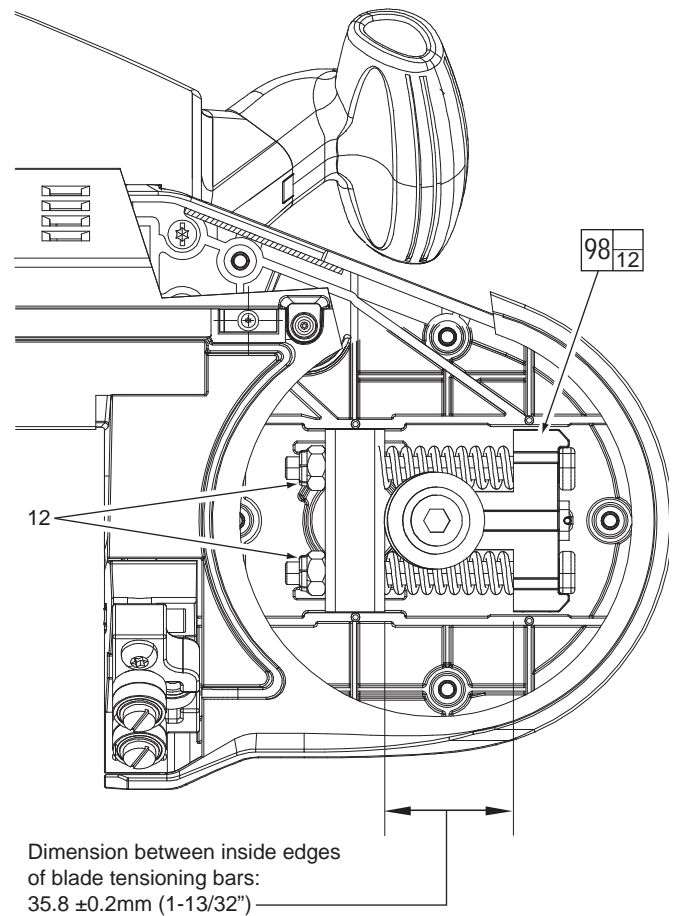
\* No. 14-46-0715  
Band saw shim service kit  
available, not shown

| FIG. | PART NO.   | DESCRIPTION OF PART                        | NO. REQ. |
|------|------------|--|----------|
| 1    | 06-82-0040 | 1/4"-20 UNC-2A TH Hex Screw                | (2)      |
| 2    | 45-88-0832 | Steel Washer                               | (2)      |
| 3    | 45-69-0030 | Pulley Tire                                | (2)      |
| 4    | 44-77-0170 | Rear Pulley                                | (1)      |
| 5    | 45-88-0545 | Plastic Washer                             | (3)      |
| 6    | 28-95-0030 | Front Pulley Assembly                      | (1)      |
| 7    | -----      | Nut  | (1)      |
| 8    | 42-12-0235 | Front Pulley Axle                          | (1)      |
| 9    | -----      | Guard                                      | (1)      |
| ★ 10 | 14-46-0342 | Blade Backing Pad Kit                      | (1)      |
| 11   | 05-88-9915 | M5 x 25mm DG Pan Hd. T-25 Screw            | (3)      |
| 12   | 06-57-5000 | Nut  | (2)      |
| 13   | -----      | Spring Washer                              | (1)      |
| 14   | -----      | Washer                                     | (1)      |
| 15   | -----      | Insulator                                  | (1)      |
| 16   | -----      | Blade Backing Pad                          | (1)      |
| 17   | 42-40-1010 | Bushing                                    | (1)      |
| 18   | -----      | Screw                                      | (1)      |
| 19   | 45-08-0065 | Blade Release Shaft Assembly               | (1)      |
| 20   | 42-40-0640 | Sleeve Bearing                             | (1)      |
| 21   | -----      | Bumper                                     | (1)      |
| 22   | 06-82-0050 | M5.0 x 0.8-6g Flat Hd. T-20 Screw          | (2)      |
| 23   | -----      | T-Block                                    | (1)      |
| 24   | 02-02-0250 | 1/4" Steel Ball                            | (1)      |
| 25   | 40-50-0655 | Bumper Spring                              | (1)      |
| 26   | -----      | Washer                                     | (4)      |
| 27   | -----      | Ball Bearing                               | (2)      |
| 28   | -----      | Pin  | (2)      |
| 29   | -----      | Ball Bearing                               | (8)      |
| 30   | -----      | Washer                                     | (4)      |
| 31   | -----      | #12-24 UNC-2A CH Slit. Screw               | (4)      |
| 32   | -----      | Rear Blade Guide Block                     | (1)      |
| 33   | -----      | Front Blade Guide Block                    | (1)      |
| 34   | 06-82-0030 | M4.5 Flat Hd. T-20 Screw                   | (9)      |
| 37   | -----      | M3.0 Flat Hd. B Screw                      | (1)      |
| 38   | -----      | Guide Plate                                | (1)      |
| 39   | -----      | Deck                                       | (1)      |
| 40   | 12-20-2629 | Service Nameplate Kit                      | (1)      |
| 41   | -----      | M2.0 x .25 PWH T-6 Screw                   | (1)      |
| 42   | 45-08-0490 | Blade Release Lever                        | (1)      |
| 43   | 06-82-7252 | 8-32 x 3/8" Pan Hd. Slit. Tapt. T-20 Screw | (1)      |
| 44   | -----      | Bushing                                    | (1)      |
| 45   | -----      | Spring                                     | (1)      |
| 46   | -----      | Blade Ejection Pin                         | (1)      |
| 49   | 14-74-0275 | Bandsaw Fixed Material Guide w/ Screw      | (1)      |
| 96   | 28-90-0015 | Deck Assembly                              | (1)      |
| ★ 97 | 28-41-0052 | Guard Assembly                             | (1)      |
| 98   | 42-18-0025 | Blade Tension Bar Assembly                 | (1)      |
| 100  | 14-46-0465 | Guide Block Hardware Kit                   | (1)      |
| 101  | 42-28-0410 | Front Guide Block Assembly                 | (1)      |
| 102  | 42-28-0420 | Rear Guide Block Assembly                  | (1)      |
| 103  | 44-66-0325 | Guide Plate Kit                            | (1)      |
| 104  | 44-60-0240 | Blade Ejection Shaft Kit                   | (1)      |
| 113  | 42-38-0010 | Bumper Assembly                            | (1)      |

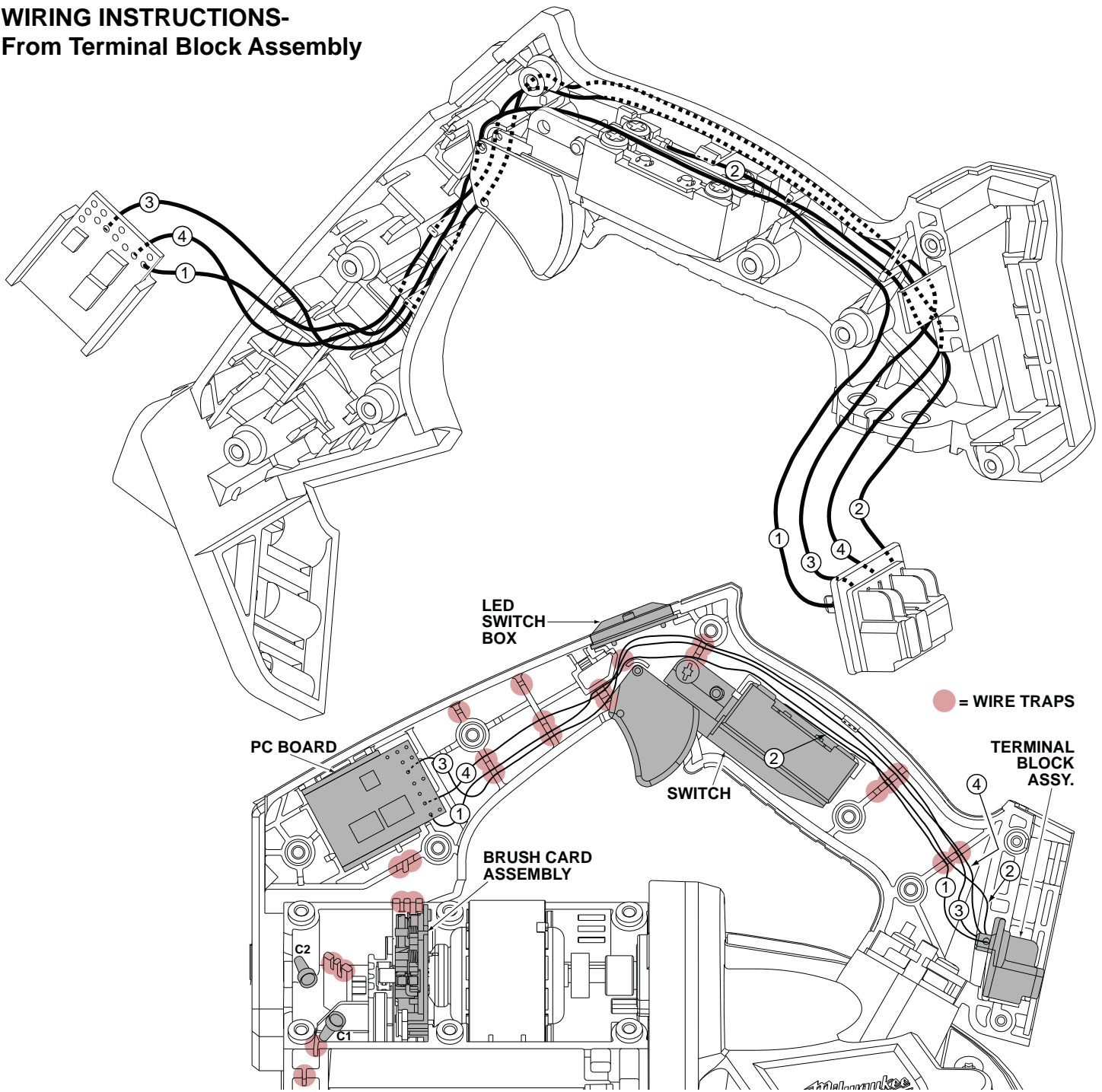
- FIG. NOTE:**
- 24 Apply Loctite® Silver Grade Anti-Seize Stick 80209 (or equivalent) to Steel Ball.
  - 8 Apply Loctite® Cleaner 755 (or equivalent) to Front Pulley Axle thread first then place a drop or two of Blue Loctite® 443 (or equivalent) to axle threads.
  - 18,41 Apply a drop of Blue Loctite® 443 (or equivalent) to threads of each screw.
  - 9,38 Apply Loctite® C5-A Copper Anti-Seize (or equivalent) to metal insert in Guard and to Guide Plate. Approximately .1g for each part.



| SCREW TORQUE CHART |            |                          |                    |         |
|--------------------|------------|--------------------------|--------------------|---------|
| ITEM               | PART NO.   | PART DESCRIPTION         | SEAT TORQUE        |         |
|                    |            |                          | (IN/LBS)           | (KG/CM) |
| 1                  | 06-82-0040 | 1/4"-20 UCN-2A TH Hex    | 65-74              | 75-85   |
| 7                  | -----      | M2 x 0.4 Nut             | 2-4                | 3-5     |
| 8                  | 42-12-0235 | Front Pulley Axle        | 78-87              | 90-100  |
| 11                 | 05-88-9915 | M5 x 25mm DG PH T-25     | 16-21              | 19-24   |
| 12                 | 06-57-5000 | Flex-Loc Nut             | To Assembly Length |         |
| 18                 | -----      | M2 x 0.4 T-6             | 2-4                | 3-5     |
| 22                 | 06-82-0050 | M5 x .8-6g FH T-20       | 26-30              | 30-35   |
| 31                 | 06-82-0120 | #12-24 UNC-2A CH Slotted | 39-48              | 45-55   |
| 34                 | 06-82-0030 | M4.5 FH T-20             | 16-21              | 19-24   |
| 35                 | 06-82-5574 | #10-24 x 7/8" PH T-25    | 39-48              | 45-55   |
| 36                 | 06-82-0035 | M5.0 PH T-20             | 22-26              | 25-30   |
| 37                 | 06-82-0010 | M3 FH B                  | 6-9                | 7-10    |
| 41                 | 06-82-0025 | M2.0 x .25 PWH T-6       | 2-4                | 3-5     |
| 43                 | 06-82-7252 | #8-32 x 3/8" PH T-20     | 22-26              | 25-30   |
| 55                 | 06-82-5320 | #8-32 x 5/8" PH T-20     | 26-31              | 30-36   |
| 73                 | 06-82-7261 | #6-19 x 11/16" PH T-15   | 16-21              | 19-24   |
| 74                 | 06-82-7270 | #8-16 x 5/8" PH T-20     | 16-21              | 19-24   |
| 79                 | 06-82-5294 | 1/4"-20 UNC-2A PH T-30   | 65-74              | 75-85   |
| 81                 | 06-82-7251 | #8-16 x 3/8" PH T-20     | 10-14              | 12-16   |
| 87                 | 06-82-0045 | 3/8"-16 UNC-3A T-20      | 87-104             | 100-120 |
| 89                 | 06-82-5316 | #8-32 x 1/2" PH T-20     | 16-21              | 19-24   |



# WIRING INSTRUCTIONS- From Terminal Block Assembly



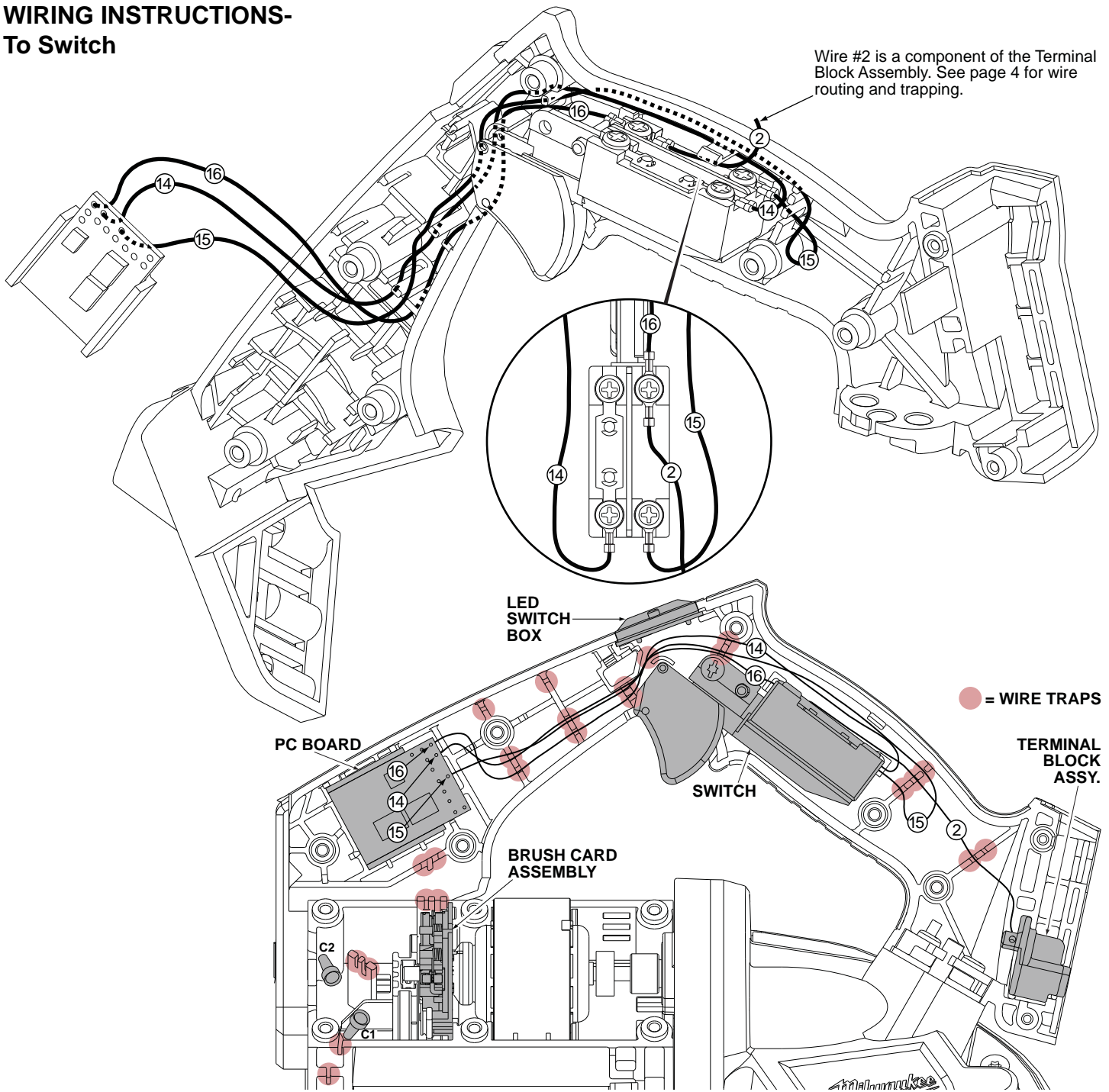
AS AN AID TO REASSEMBLY,  
TAKE NOTICE OF WIRE ROUTING AND  
POSITION IN WIRE GUIDES AND TRAPS  
WHILE DISMANTLING TOOL.

BE CAREFUL AND AVOID PINCHING  
WIRES BETWEEN HANDLE HALVES  
WHEN ASSEMBLING.

## WIRING SPECIFICATIONS

| Wire No. | Wire Color | Origin or Gauge  | Length | Terminals, Connectors and 1 or 2 End Wire Preparation  |
|----------|------------|------------------|--------|--|
| 1        | Black      | Electronics Kit  | -----  | Connects from Terminal Block Assembly to PCB.          |
| 2        | Red        | Electronics Kit  | -----  | Connects from Terminal Block Assembly to Switch.       |
| 3        | Black      | Electronics Kit  | -----  | Connects from Terminal Block Assembly to PCB.          |
| 4        | Pink       | Electronics Kit  | -----  | Connects from Terminal Block Assembly to PCB.          |
| 5        | White      | Electronics Kit  | -----  | Connects from LED Switch Box to PCB.                   |
| 6        | Pink       | Electronics Kit  | -----  | Connects from LED Switch Box to LED.                   |
| 7        | Black      | Electronics Kit  | -----  | Connects from LED Switch Box to PCB.                   |
| 8        | Pink       | Electronics Kit  | -----  | Connects from LED Switch Box to PCB.                   |
| 9        | Red        | Electronics Kit  | -----  | Connects from PCB to Wire #13 from Brush Card with C1. |
| 10       | Black      | Electronics Kit  | -----  | Connects from PCB to Wire #12 from Brush Card with C2. |
| 11       | Black      | Electronics Kit  | -----  | Connects from PCB to LED.                              |
| 12       | Black      | Brush Card Assy. | -----  | Connects from Brush Card to Wire #10 from PCB with C2. |
| 13       | Red        | Brush Card Assy. | -----  | Connects from Brush Card to Wire #9 from PCB with C1.  |
| 14       | Black      | Electronics Kit  | -----  | Connects from PCB to Switch. (See detail on page 5).   |
| 15       | Black      | Electronics Kit  | -----  | Connects from PCB to Switch. (See detail on page 5).   |
| 16       | Pink       | Electronics Kit  | -----  | Connects from PCB to Switch. (See detail on page 5).   |

# WIRING INSTRUCTIONS- To Switch



AS AN AID TO REASSEMBLY,  
TAKE NOTICE OF WIRE ROUTING AND  
POSITION IN WIRE GUIDES AND TRAPS  
WHILE DISMANTLING TOOL.

BE CAREFUL AND AVOID PINCHING  
WIRES BETWEEN HANDLE HALVES  
WHEN ASSEMBLING.

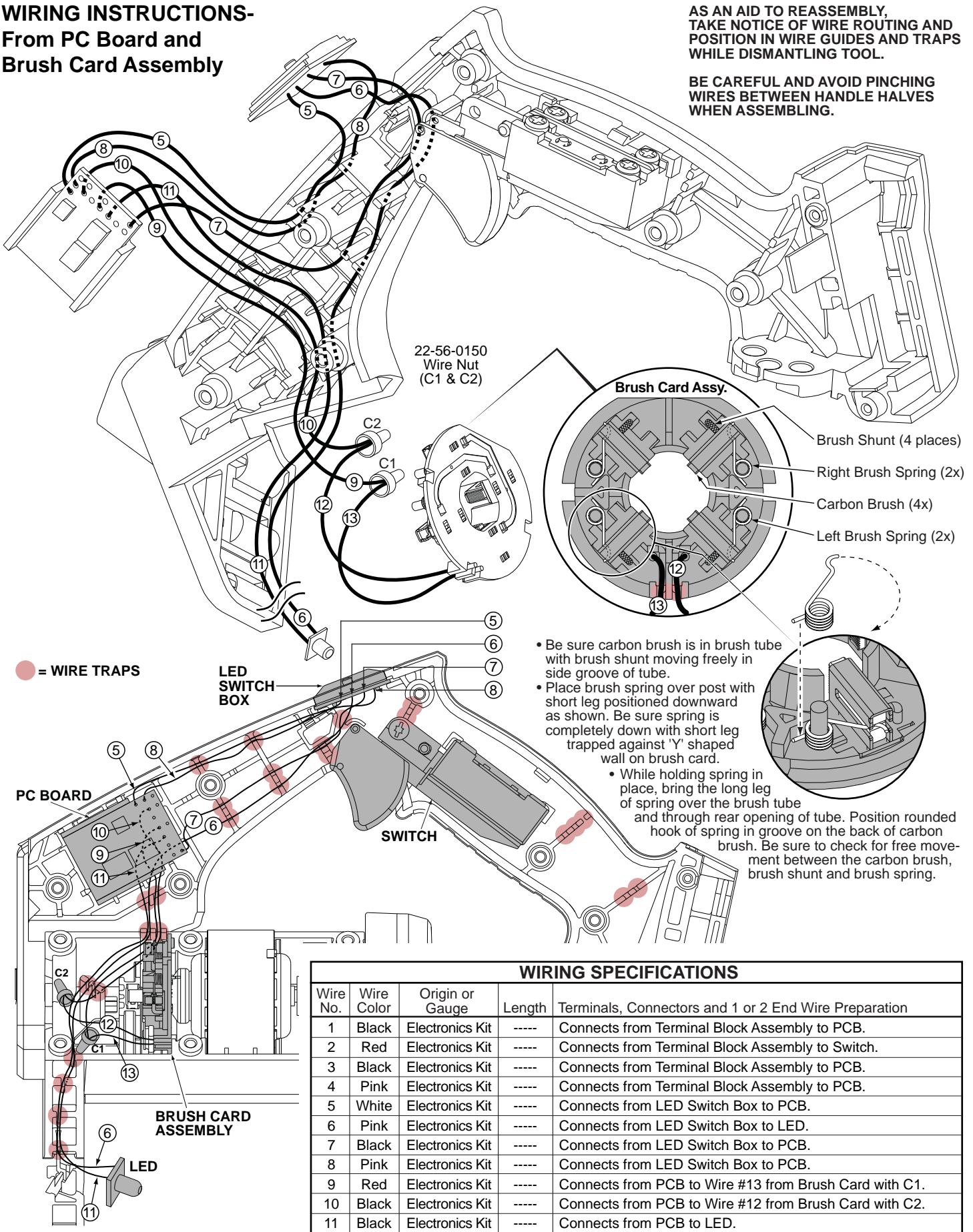
## WIRING SPECIFICATIONS

| Wire No. | Wire Color | Origin or Gauge  | Length | Terminals, Connectors and 1 or 2 End Wire Preparation  |
|----------|------------|------------------|--------|--|
| 1        | Black      | Electronics Kit  | -----  | Connects from Terminal Block Assembly to PCB.          |
| 2        | Red        | Electronics Kit  | -----  | Connects from Terminal Block Assembly to Switch.       |
| 3        | Black      | Electronics Kit  | -----  | Connects from Terminal Block Assembly to PCB.          |
| 4        | Pink       | Electronics Kit  | -----  | Connects from Terminal Block Assembly to PCB.          |
| 5        | White      | Electronics Kit  | -----  | Connects from LED Switch Box to PCB.                   |
| 6        | Pink       | Electronics Kit  | -----  | Connects from LED Switch Box to LED.                   |
| 7        | Black      | Electronics Kit  | -----  | Connects from LED Switch Box to PCB.                   |
| 8        | Pink       | Electronics Kit  | -----  | Connects from LED Switch Box to PCB.                   |
| 9        | Red        | Electronics Kit  | -----  | Connects from PCB to Wire #13 from Brush Card with C1. |
| 10       | Black      | Electronics Kit  | -----  | Connects from PCB to Wire #12 from Brush Card with C2. |
| 11       | Black      | Electronics Kit  | -----  | Connects from PCB to LED.                              |
| 12       | Black      | Brush Card Assy. | -----  | Connects from Brush Card to Wire #10 from PCB with C2. |
| 13       | Red        | Brush Card Assy. | -----  | Connects from Brush Card to Wire #9 from PCB with C1.  |
| 14       | Black      | Electronics Kit  | -----  | Connects from PCB to Switch. (See detail on page 5).   |
| 15       | Black      | Electronics Kit  | -----  | Connects from PCB to Switch. (See detail on page 5).   |
| 16       | Pink       | Electronics Kit  | -----  | Connects from PCB to Switch. (See detail on page 5).   |

# WIRING INSTRUCTIONS- From PC Board and Brush Card Assembly

AS AN AID TO REASSEMBLY,  
TAKE NOTICE OF WIRE ROUTING AND  
POSITION IN WIRE GUIDES AND TRAPS  
WHILE DISMANTLING TOOL.

BE CAREFUL AND AVOID PINCHING  
WIRES BETWEEN HANDLE HALVES  
WHEN ASSEMBLING.



- Be sure carbon brush is in brush tube with brush shunt moving freely in side groove of tube.
- Place brush spring over post with short leg positioned downward as shown. Be sure spring is completely down with short leg trapped against 'Y' shaped wall on brush card.
- While holding spring in place, bring the long leg of spring over the brush tube and through rear opening of tube. Position rounded hook of spring in groove on the back of carbon brush. Be sure to check for free movement between the carbon brush, brush shunt and brush spring.

## WIRING SPECIFICATIONS

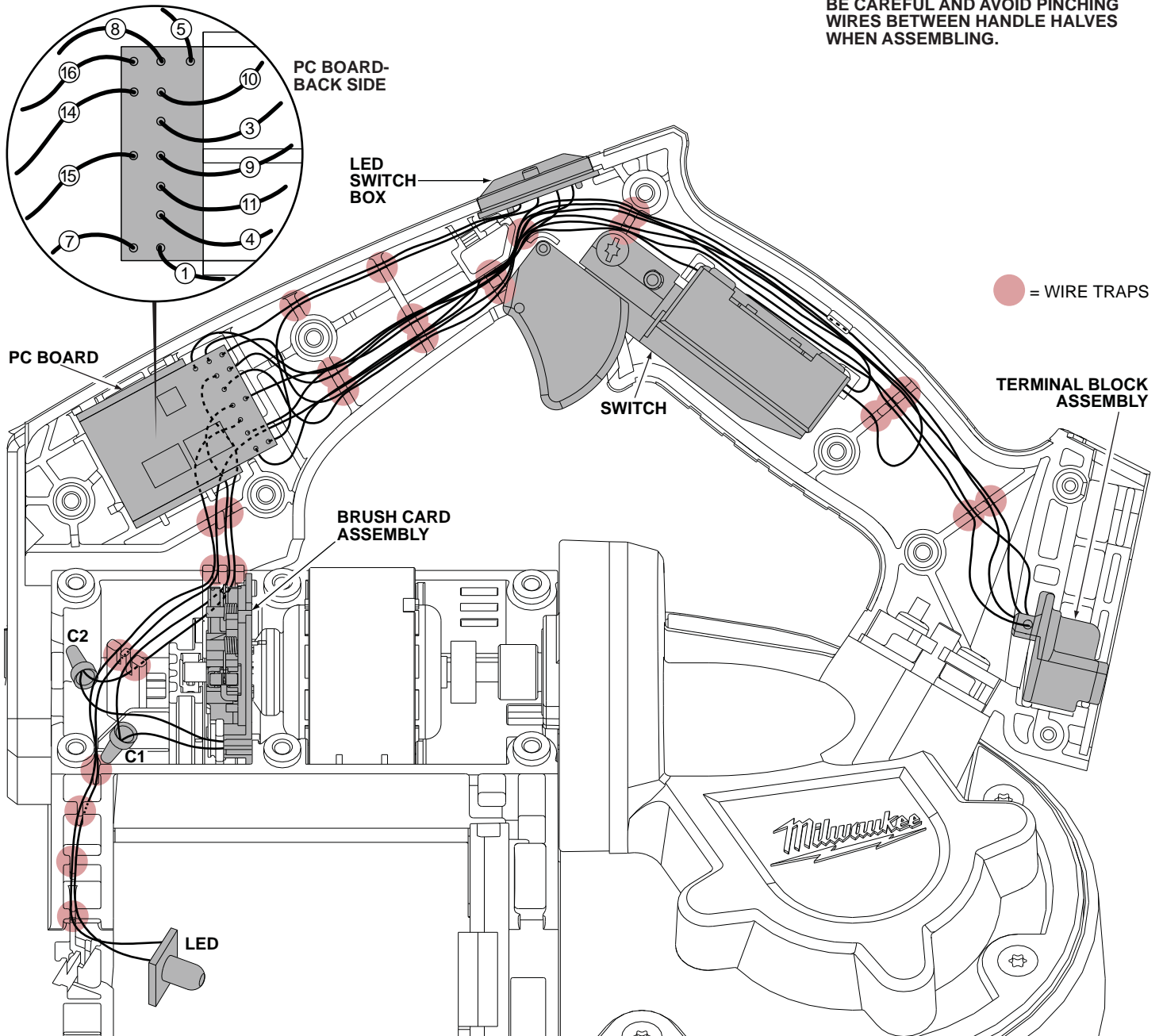
| Wire No. | Wire Color | Origin or Gauge  | Length | Terminals, Connectors and 1 or 2 End Wire Preparation  |
|----------|------------|------------------|--------|--|
| 1        | Black      | Electronics Kit  | -----  | Connects from Terminal Block Assembly to PCB.          |
| 2        | Red        | Electronics Kit  | -----  | Connects from Terminal Block Assembly to Switch.       |
| 3        | Black      | Electronics Kit  | -----  | Connects from Terminal Block Assembly to PCB.          |
| 4        | Pink       | Electronics Kit  | -----  | Connects from Terminal Block Assembly to PCB.          |
| 5        | White      | Electronics Kit  | -----  | Connects from LED Switch Box to PCB.                   |
| 6        | Pink       | Electronics Kit  | -----  | Connects from LED Switch Box to LED.                   |
| 7        | Black      | Electronics Kit  | -----  | Connects from LED Switch Box to PCB.                   |
| 8        | Pink       | Electronics Kit  | -----  | Connects from LED Switch Box to PCB.                   |
| 9        | Red        | Electronics Kit  | -----  | Connects from PCB to Wire #13 from Brush Card with C1. |
| 10       | Black      | Electronics Kit  | -----  | Connects from PCB to Wire #12 from Brush Card with C2. |
| 11       | Black      | Electronics Kit  | -----  | Connects from PCB to LED.                              |
| 12       | Black      | Brush Card Assy. | -----  | Connects from Brush Card to Wire #10 from PCB with C2. |
| 13       | Red        | Brush Card Assy. | -----  | Connects from Brush Card to Wire #9 from PCB with C1.  |
| 14       | Black      | Electronics Kit  | -----  | Connects from PCB to Switch. (See detail on page 5).   |
| 15       | Black      | Electronics Kit  | -----  | Connects from PCB to Switch. (See detail on page 5).   |
| 16       | Pink       | Electronics Kit  | -----  | Connects from PCB to Switch. (See detail on page 5).   |

# WIRING INSTRUCTIONS-

All wire routings and trapping

AS AN AID TO REASSEMBLY, TAKE NOTICE OF WIRE ROUTING AND POSITION IN WIRE GUIDES AND TRAPS WHILE DISMANTLING TOOL.

BE CAREFUL AND AVOID PINCHING WIRES BETWEEN HANDLE HALVES WHEN ASSEMBLING.



## WIRING SPECIFICATIONS

| Wire No. | Wire Color | Origin or Gauge  | Length | Terminals, Connectors and 1 or 2 End Wire Preparation  |
|----------|------------|------------------|--------|--|
| 1        | Black      | Electronics Kit  | -----  | Connects from Terminal Block Assembly to PCB.          |
| 2        | Red        | Electronics Kit  | -----  | Connects from Terminal Block Assembly to Switch.       |
| 3        | Black      | Electronics Kit  | -----  | Connects from Terminal Block Assembly to PCB.          |
| 4        | Pink       | Electronics Kit  | -----  | Connects from Terminal Block Assembly to PCB.          |
| 5        | White      | Electronics Kit  | -----  | Connects from LED Switch Box to PCB.                   |
| 6        | Pink       | Electronics Kit  | -----  | Connects from LED Switch Box to LED.                   |
| 7        | Black      | Electronics Kit  | -----  | Connects from LED Switch Box to PCB.                   |
| 8        | Pink       | Electronics Kit  | -----  | Connects from LED Switch Box to PCB.                   |
| 9        | Red        | Electronics Kit  | -----  | Connects from PCB to Wire #13 from Brush Card with C1. |
| 10       | Black      | Electronics Kit  | -----  | Connects from PCB to Wire #12 from Brush Card with C2. |
| 11       | Black      | Electronics Kit  | -----  | Connects from PCB to LED.                              |
| 12       | Black      | Brush Card Assy. | -----  | Connects from Brush Card to Wire #10 from PCB with C2. |
| 13       | Red        | Brush Card Assy. | -----  | Connects from Brush Card to Wire #9 from PCB with C1.  |
| 14       | Black      | Electronics Kit  | -----  | Connects from PCB to Switch. (See detail on page 5).   |
| 15       | Black      | Electronics Kit  | -----  | Connects from PCB to Switch. (See detail on page 5).   |
| 16       | Pink       | Electronics Kit  | -----  | Connects from PCB to Switch. (See detail on page 5).   |