



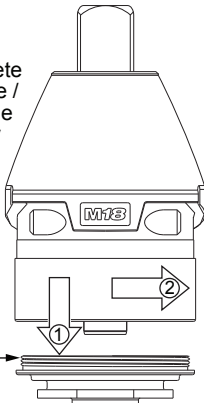
# SERVICE PARTS LIST

**BULLETIN NO.**  
**55-26-2640**

SPECIFY CATALOG NO. AND SERIAL NO. WHEN ORDERING PARTS		REVISED BULLETIN	DATE
<b>M18 FUEL™ 1/2" Square Impact Wrench</b>			Jan. 2020
CATALOG NO.	<b>2655-059</b>	STARTING SERIAL NO.	<b>F22A</b>
		WIRING INSTRUCTION <b>SEE PAGE 2</b>	

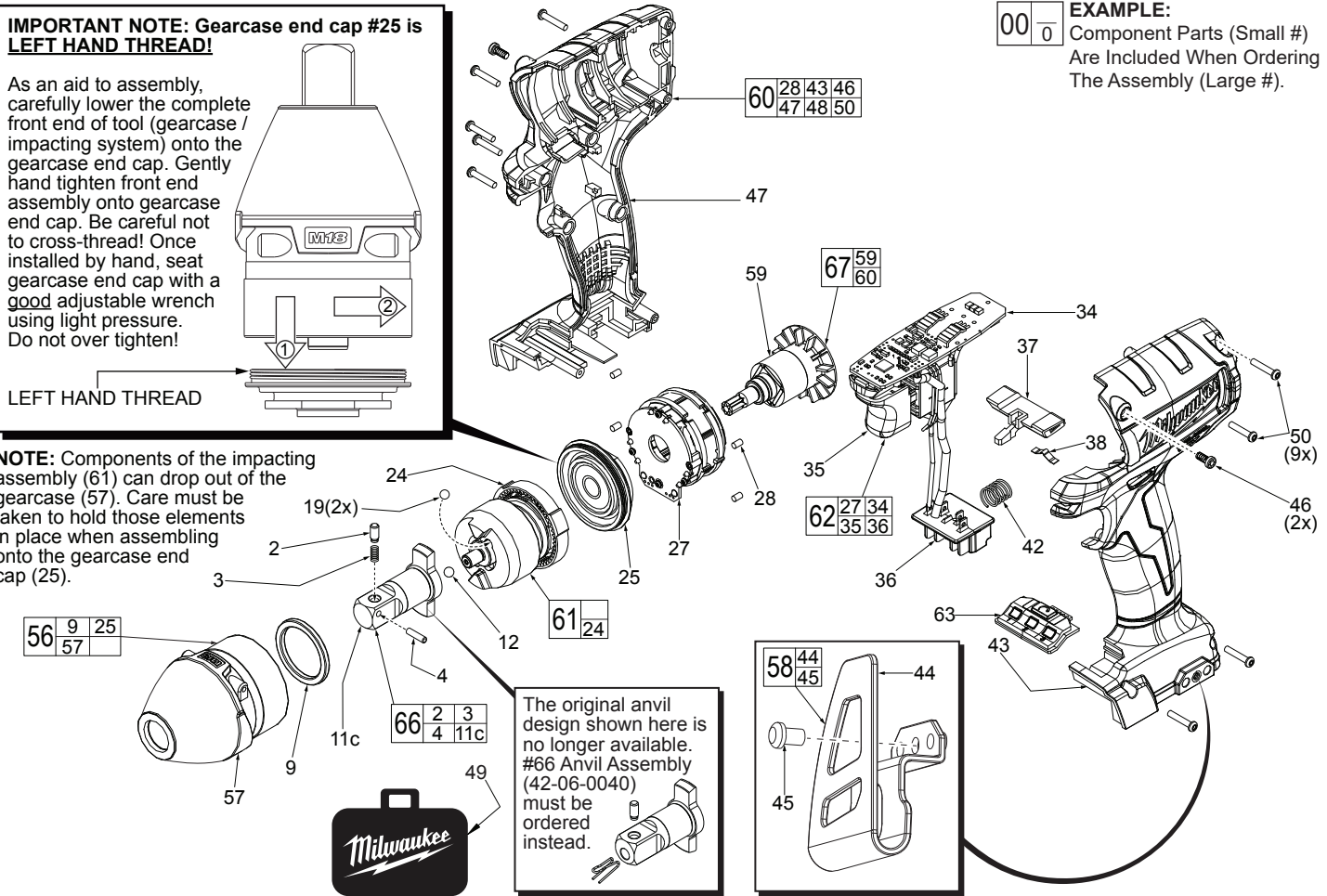
**IMPORTANT NOTE: Gearcase end cap #25 is LEFT HAND THREAD!**

As an aid to assembly, carefully lower the complete front end of tool (gearcase / impacting system) onto the gearcase end cap. Gently hand tighten front end assembly onto gearcase end cap. Be careful not to cross-thread! Once installed by hand, seat gearcase end cap with a good adjustable wrench using light pressure. Do not over tighten!



LEFT HAND THREAD

**NOTE:** Components of the impacting assembly (61) can drop out of the gearcase (57). Care must be taken to hold those elements in place when assembling onto the gearcase end cap (25).



**EXAMPLE:**  
Component Parts (Small #)  
Are Included When Ordering  
The Assembly (Large #).

FIG.	PART NO.	DESCRIPTION OF PART	NO. REQ.
2	44-60-0597	Detent Pin	(1)
3	40-50-0925	Detent Spring	(1)
4	44-60-0465	Pivot Pin	(1)
9	45-88-2653	Plastic Washer	(1)
11c	-----	1/2" Square Anvil	(1)
12	02-02-1300	5mm Steel Ball	(1)
19	02-02-0180	4.7mm Steel Ball	(2)
24	-----	Ring Gear	(1)
25	44-66-2653	Gearcase End Cap with Ball Bearing	(1)
27	-----	Stator Assembly	(1)
28	45-30-2653	Rubber Slug	(4)
34	-----	PCBA	(1)
35	23-66-2653	On-Off Switch	(1)
36	-----	Terminal Block Assembly	(1)
37	45-24-2653	Fwd/Rev Shuttle	(1)
38	40-50-1135	Spring	(1)
42	40-50-1090	Spring	(1)
43	-----	Left Handle Halve	(1)
44	-----	Belt Hook	(1)
45	-----	Belt Hook Screw	(1)
46	06-82-2653	M3.5 x 8mm Pan Hd. Plastite Screw	(2)
47	-----	Right Handle Halve	(1)
48	-----	Service Nameplate (Not Shown)	(1)
49	42-55-2653	Carrying Case	(1)
50	06-82-7236	4-20 x 5/8" Pan Hd. Plastite T-10 Scr	(9)
56	14-30-2656	Gearcase Assembly	(1)
57	28-50-2654	Front Gearcase	(1)

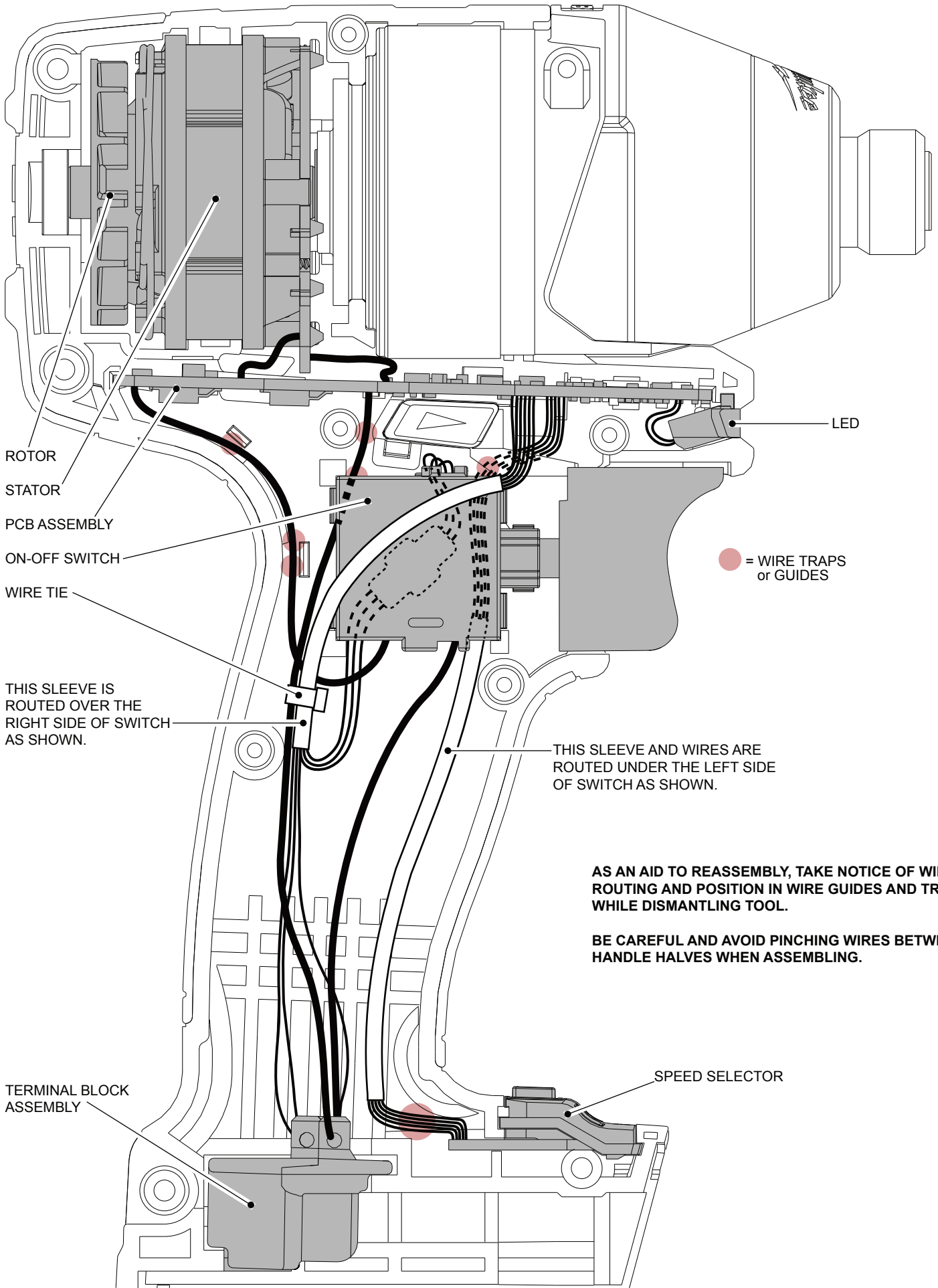
**Assembly going obsolete. Replaced by:**  
#62 = 14-20-2656  
Electronics Assy.

FIG.	PART NO.	DESCRIPTION OF PART	NO. REQ.
58	42-70-2653	Belt Clip Assembly	(1)
59	-----	Rotor Assembly	(1)
60	-----	Handle Assembly	(1)
61	14-30-0095	Impacting Assembly	(1)
62	14-20-2656	Electronics Assembly	(1)
63	45-24-2655	Speed Selector	(1)
66	42-06-0040	1/2" Square Anvil Assembly	(1)
67	14-46-2654	Rotary/Handle Kit	(1)

24,61 Lightly coat the I.D. of the ring gear (24) and the center of the planet gears of impacting assembly with grease.

57 Coat inside of bushing inside front gearcase with grease.

59 Coat pinion of rotor assembly (59) with grease.



ROTOR

STATOR

PCB ASSEMBLY

ON-OFF SWITCH

WIRE TIE

THIS SLEEVE IS  
ROUTED OVER THE  
RIGHT SIDE OF SWITCH  
AS SHOWN.

TERMINAL BLOCK  
ASSEMBLY

LED

● = WIRE TRAPS  
or GUIDES

THIS SLEEVE AND WIRES ARE  
ROUTED UNDER THE LEFT SIDE  
OF SWITCH AS SHOWN.

**AS AN AID TO REASSEMBLY, TAKE NOTICE OF WIRE  
ROUTING AND POSITION IN WIRE GUIDES AND TRAPS  
WHILE DISMANTLING TOOL.**

**BE CAREFUL AND AVOID PINCHING WIRES BETWEEN  
HANDLE HALVES WHEN ASSEMBLING.**

SPEED SELECTOR