



SERVICE PARTS LIST

BULLETIN NO.
55-16-0301

SPECIFY CATALOG NO. AND SERIAL NO. WHEN ORDERING PARTS		REVISED BULLETIN	DATE
TWO SPEED DYMODRILL		55-16-0300	Oct '89
CATALOG NO. 4079-5	STARTING SERIAL NO. 745-4001	WIRING INSTRUCTION	
		58-03-0020	

EXAMPLE:

00 0 Component Parts (Small #)
Are Included When Ordering
The Assembly (Large #).

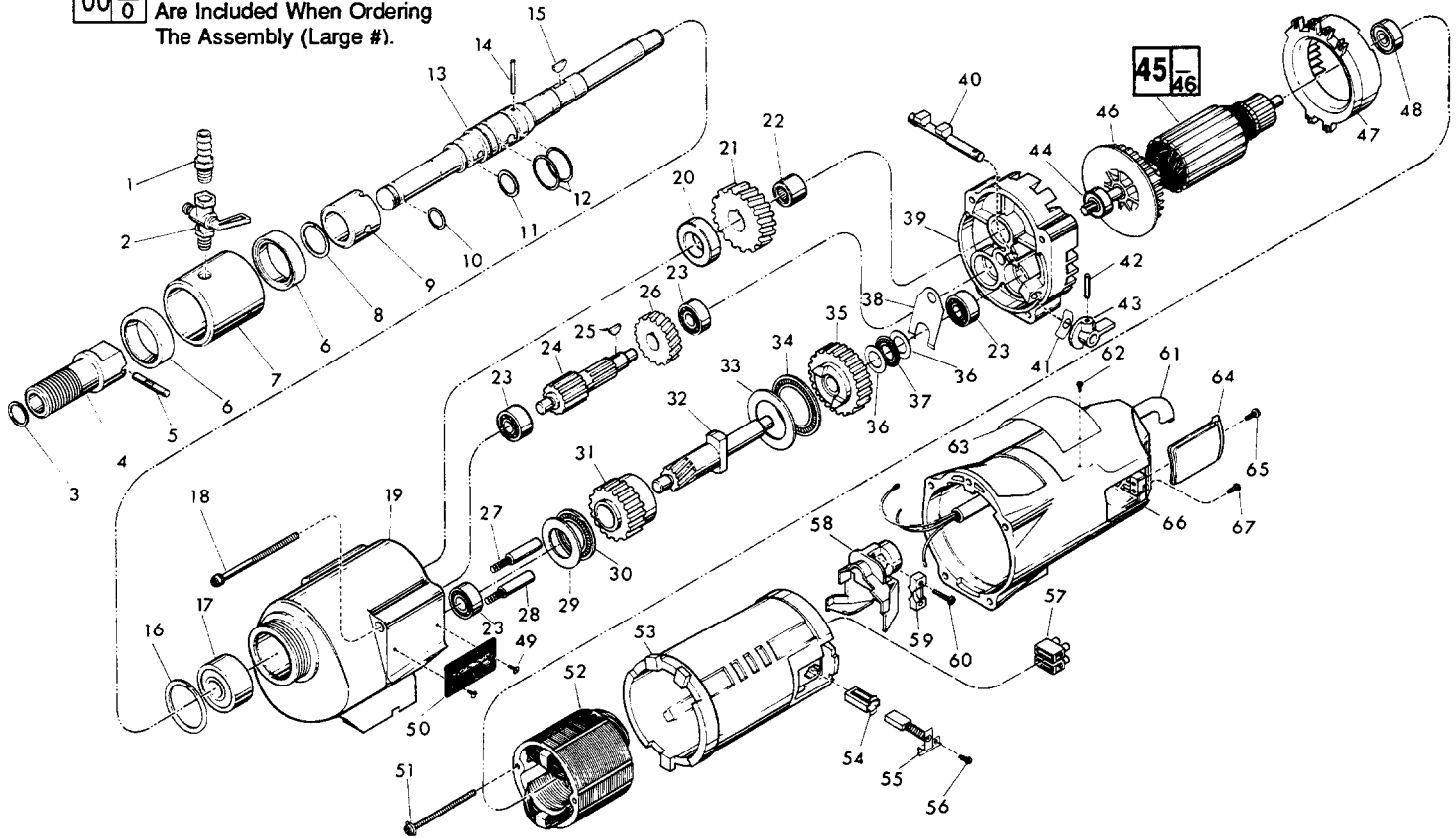


FIG.	PART NO.	DESCRIPTION OF PART	NO. REQ.	FIG.	PART NO.	DESCRIPTION OF PART	NO. REQ.
1	42-90-0200	Water Hose Fitting	(1)	★40	30-15-0272	Shift Cam	(1)
2	45-80-0060	Shut Off Valve	(1)	41	45-06-0350	Gear Case Seal	(1)
3	34-60-1800	Retaining Ring	(1)	42	06-65-0840	1/8 x 3/4" Groove Pin	(1)
4	45-22-0050	Spindle Sleeve	(1)	43	28-60-0056	Shifting Knob	(1)
★5	44-60-0031	Shear Pin	(1)	★44	02-04-1229	Ball Bearing	(1)
6	45-06-0050	Trostel Seal	(2)	45	16-76-0320	220 V Armature	(1)
7	43-76-0051	Water Swivel Hsg. (With 06-83-2430 Screw)	(1)	46	22-84-0790	Fan	(1)
8	34-60-2115	Retaining Ring	(1)	47	42-14-0291	Baffle	(1)
9	42-40-0830	Spindle Bushing	(1)	48	02-04-1041	Ball Bearing	(1)
10	34-40-1100	O-Ring	(1)	49	06-82-5266	4-40x1/4" Pan Hd. Taptite Screw	(2)
11	34-40-1200	O-Ring	(1)	50	12-98-3060	Instruction Plate	(1)
12	34-40-1350	O-Ring	(2)	51	06-82-9152	10-24x2-3/4" Torx Sem. Screw	(2)
13	38-50-4555	Spindle	(1)	52	18-74-0120	220 V Field	(1)
14	06-65-1530	1/8 x 1/2" Roll Pin	(1)	53	23-16-1410	Motor Insulator	(1)
15	06-42-2400	Woodruff Key	(1)	54	22-20-0680	Brush Tube	(2)
16	34-80-3800	Retaining Ring	(1)	55	22-18-0705	Carbon Brush Assembly	(2)
17	02-20-2515	Ball Bearing	(1)	56	06-82-8835	8-32 x 5/16" Pan Torx Sem. Screw	(2)
18	06-82-9202	1/4 - 20x4-1/4" Taptite Torx Screw	(4)	57	22-56-0470	Terminal Block	(1)
19	28-14-1870	Gear Case Assy.(Inc. 06-65-1535 Pin)	(1)	58	22-38-0140	Wire Trap	(1)
20	45-36-1245	Spindle Spacer	(1)	59	31-17-0200	Cord Clamp	(1)
21	32-75-2661	Spindle Gear	(1)	60	06-82-7326	8-16 x 1" Pan Hd. Plastic Torx Screw	(2)
22	02-50-4830	Needle Bearing	(1)	★61	23-37-0150	Control Assy.-Refer to Bull. 58-03-0020	(1)
23	02-04-1205	Ball Bearing	(4)	62	06-85-0200	Namplate - Screw	(2)
24	36-66-3751	Pinion Shaft Assembly	(1)	★63	12-15-4160	Nameplate	(1)
25	06-42-1600	Woodruff Key	(1)	64	22-32-0350	Brush Cover	(2)
26	32-40-1581	Intermediate Gear	(1)	65	06-82-7252	8-32 x 3/8" Pan Slot Taptite Screw	(2)
27	40-50-6300	Shifting Spring	(2)	66	28-50-6360	Motor Housing	(1)
28	44-70-0100	Shifting Plunger	(2)	★67	06-95-5200	8-32 x 5/16" Slot Hex Hd. Screw	(1)
29	45-88-0520	Thrust Bearing Washer	(1)		49-96-4700	1-3/8" Open Wrench	(1)
30	02-80-1800	Thrust Bearing	(1)		49-96-0085	3/16" Socket Wrench	(1)
31	32-10-0061	Clutch Gear Assembly	(1)		49-96-0050	3/32" Socket Wrench	(1)
32	36-14-0720	Clutch Pinion Shaft	(1)		45-56-0210	26" Strap and Buckle	(1)
33	45-88-0530	Thrust Bearing Washer	(1)				
34	02-80-5000	Thrust Bearing	(1)				
35	32-10-0051	Clutch Gear Assembly	(1)				
36	45-88-0510	Thrust Bearing Washer	(2)				
37	02-80-1200	Thrust Bearing	(1)				
38	45-98-0090	Shifting Yoke	(1)				
39	14-13-0220	Diaphragm Assy.(Inc.06-65-1155Pin)	(1)				

FOR MOUNTING DRILL MOTOR USE:
06-75-3090 1/4 20 x 7/8" Socket Hd. Screw (4)
06-97-4050 1/4" Split Ring Lock Washer (4)

FIG. LUBRICATION
19 18 Oz. Type "E" Grease, No.49-08-4121.

MILWAUKEE ELECTRIC TOOL CORPORATION
13135 W. LISBON RD., BROOKFIELD, WI 53005