



SERVICE PARTS LIST

BUL. 54-00-0300

2500 WATT ALTERNATOR

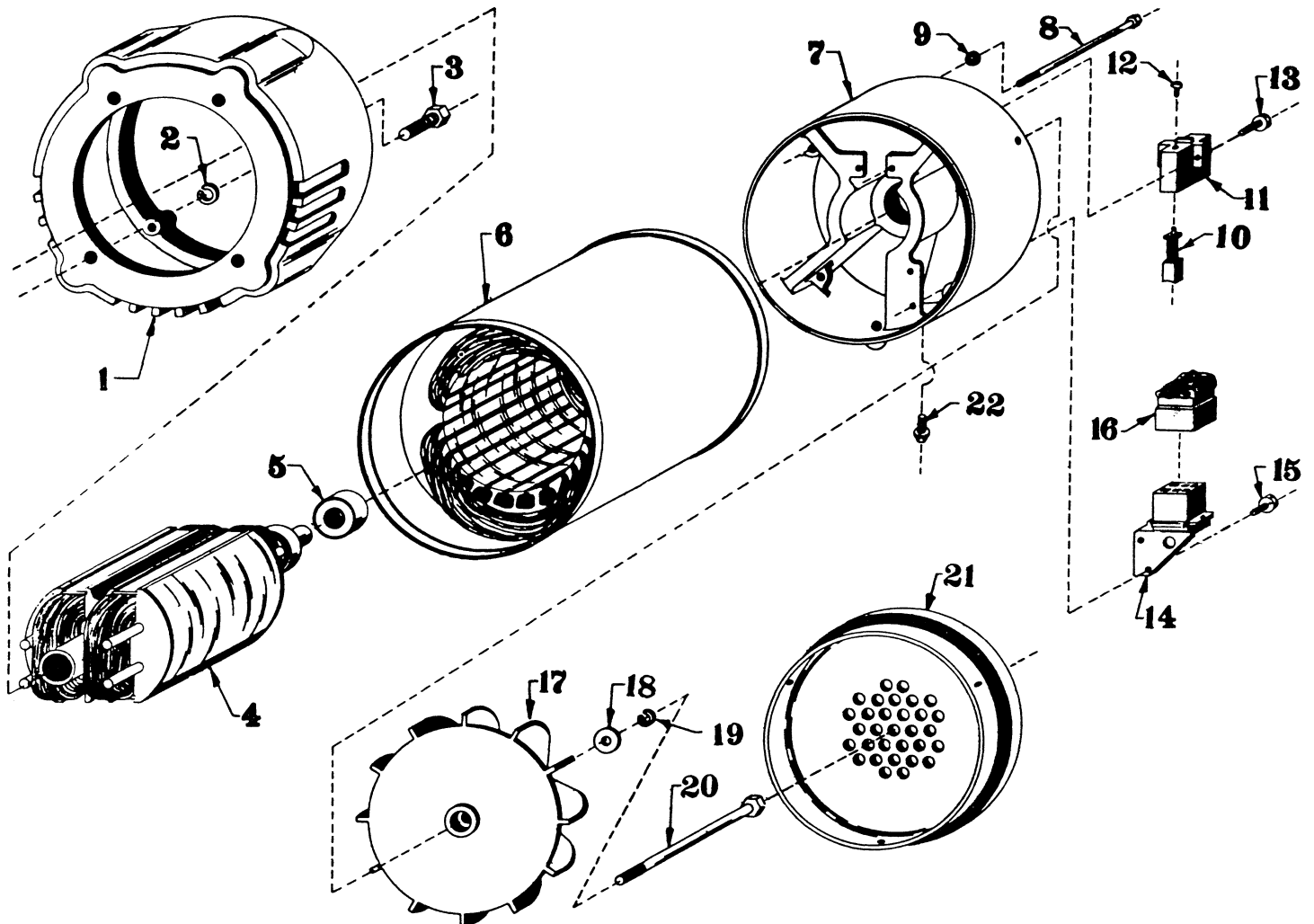
REVISED BUL. 6352-1 DATE Sept.'70

Catalog No. 4550

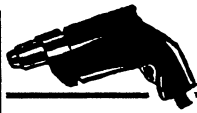
Starting Serial No. 352-1001

WIRING INSTR. 54-00-0320

Both Model and Serial No. must be furnished to obtain correct parts.



Item	Part No.	Description	Req'd	Item	Part No.	Description	Req'd
★ 1	42-04-0360	Adapter Housing	1	★ 12	06-81-8650	6-32x1/4 Rd. Hd. Sem Scr.	2
★ 2	06-97-4125	3/8 Lockwasher	4	13	06-81-6200	8-32x5/8 Fil. Hd. Sem Scr.	2
★ 3	06 75-0500	3/8-16 x 1" Hex. Hd. Cap Screw	4	14	45-60-0150	Rectifier Support Assembly	1
4	23-40-0160	Rotor Assembly	1	15	06-81-4650	10-32x3/8 Rd. Hd. Scr.	2
5	02-04-1545	Bearing	1	16	23-38-2560	Rectifier Assembly	1
6	23-58-0180	Stator Assembly	1	★ 17	22-84-0400	Fan Assy.	1
★ 7	43-76-0171	Rear Gen. Housing	1	★ 18	45-88-5261	5/16 Flat Washer	2
8	06-75-0060	10-32x7-7/8 Hex Hd. Scr.	4	19	06-97-2650	5/16 Lockwasher	1
★ 9	06-97-2200	No. 10 Shakeproof Lockwasher	4	20	06-75-0465	5/16-24x7-7/8 Hex Hd. Scr.	1
10	22-18-0340	Brush	2	21	42-92-0161	End Cover	1
11	22-20-0220	Brush Holder	1	★ 22	06-75-2400	10-32x1/2 Soc. Hd. Cap Scr.	3



SERVICE PARTS LIST

BUL. 54-00-0310

ALTERNATOR BASE

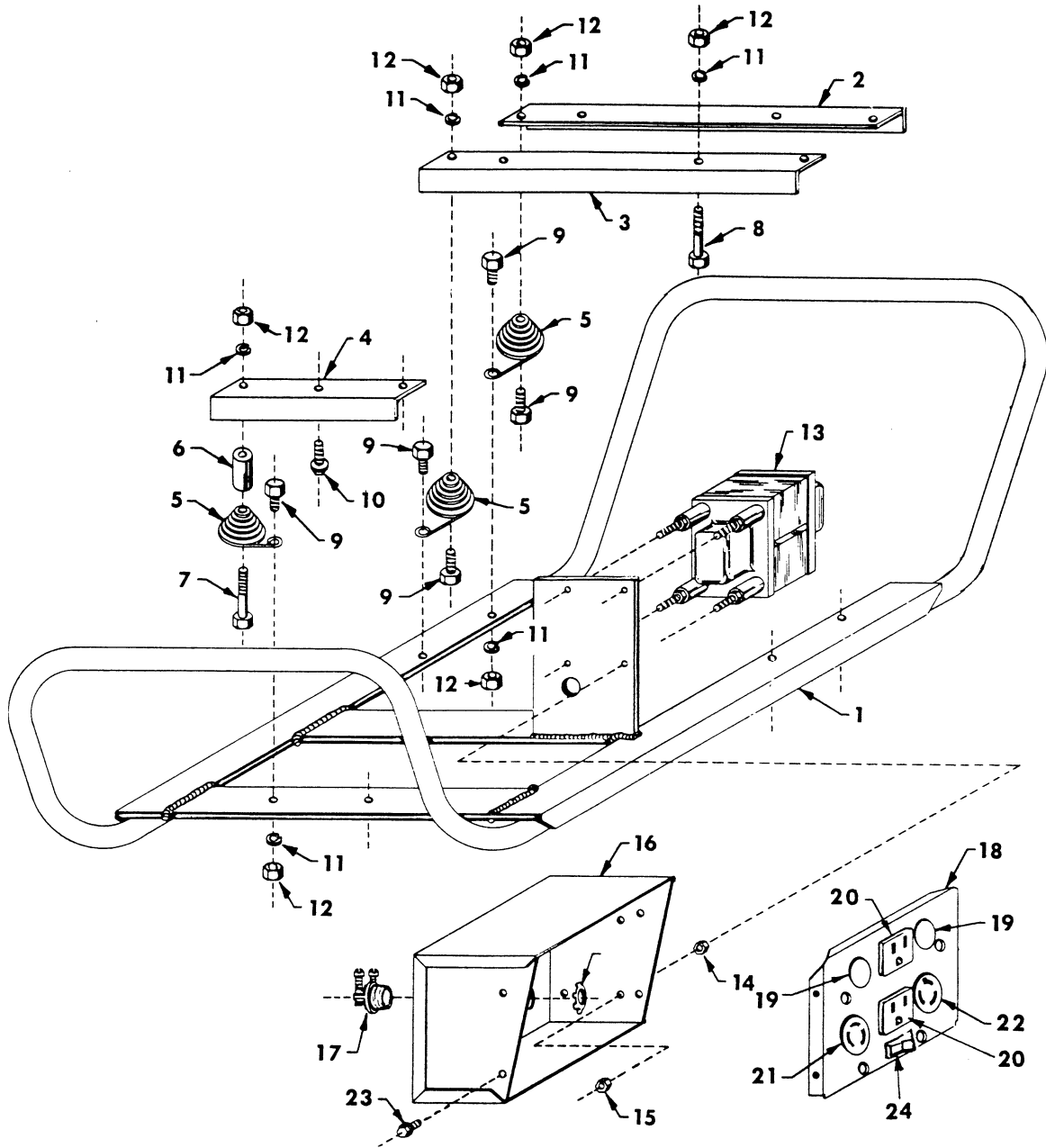
REVISED BUL 6352-1 DATE Sept.'70

Catalog No. 4550

Starting Serial No. 352-1001

WIRING INSTR.

Both Model and Serial No. must be furnished to obtain correct parts.



Item	Part No.	Description	Req'd	Item	Part No.	Description	Req'd
1	42-20-0170	Mounting Base	1	★13	23-81-0080	Transformer	1
2	42-36-0480	Front Engine Mounting Bracket	1	14	06-55-1100	10-32 Hex. Nut	4
3	42-36-0510	Rear Engine Mounting Bracket	1	★15	06-57-3000	10-32 Lock Nut	4
4	42-36-0520	Alternator Support Bracket	1	16	22-12-0070	Outlet Box	1
5	40-50-6900	Spring	6	17	22-56-0140	Connector	2
6	45-36-0410	Spacer	2	★18	22-68-0140	Outlet Box Cover	1
★7	06-75-0350	5/16-18x2" Hex. Hd. Capscrew	2	19	44-68-0090	Plug	2
8	06-75-4150	5/16-18x1-3/4" Soc. Hd. Capscrew	4	★20	23-33-0200	Outlet Receptacle 115V	2
9	06-75-3950	5/16-18x3/4" Soc. Hd. Capscrew	10	★21	23-33-0205	Outlet Receptacle (Twist Lock 115V)	1
10	06-75-3950	5/16-18x3/4" Soc. Hd. Capscrew	1	22	23-33-0160	Outlet Receptacle (Twist Lock 230V)	1
11	06-97-2650	5/16" Washer	16	★23	06-81-4650	10-32x3/8" Rd. Hd. Screw	4
12	06-55-1980	5/16-18 Hex. Nut	16	★24	23-66-0835	Switch	4