



SERVICE PARTS LIST

BUL. 54-00-0511

ALTERNATOR BASE

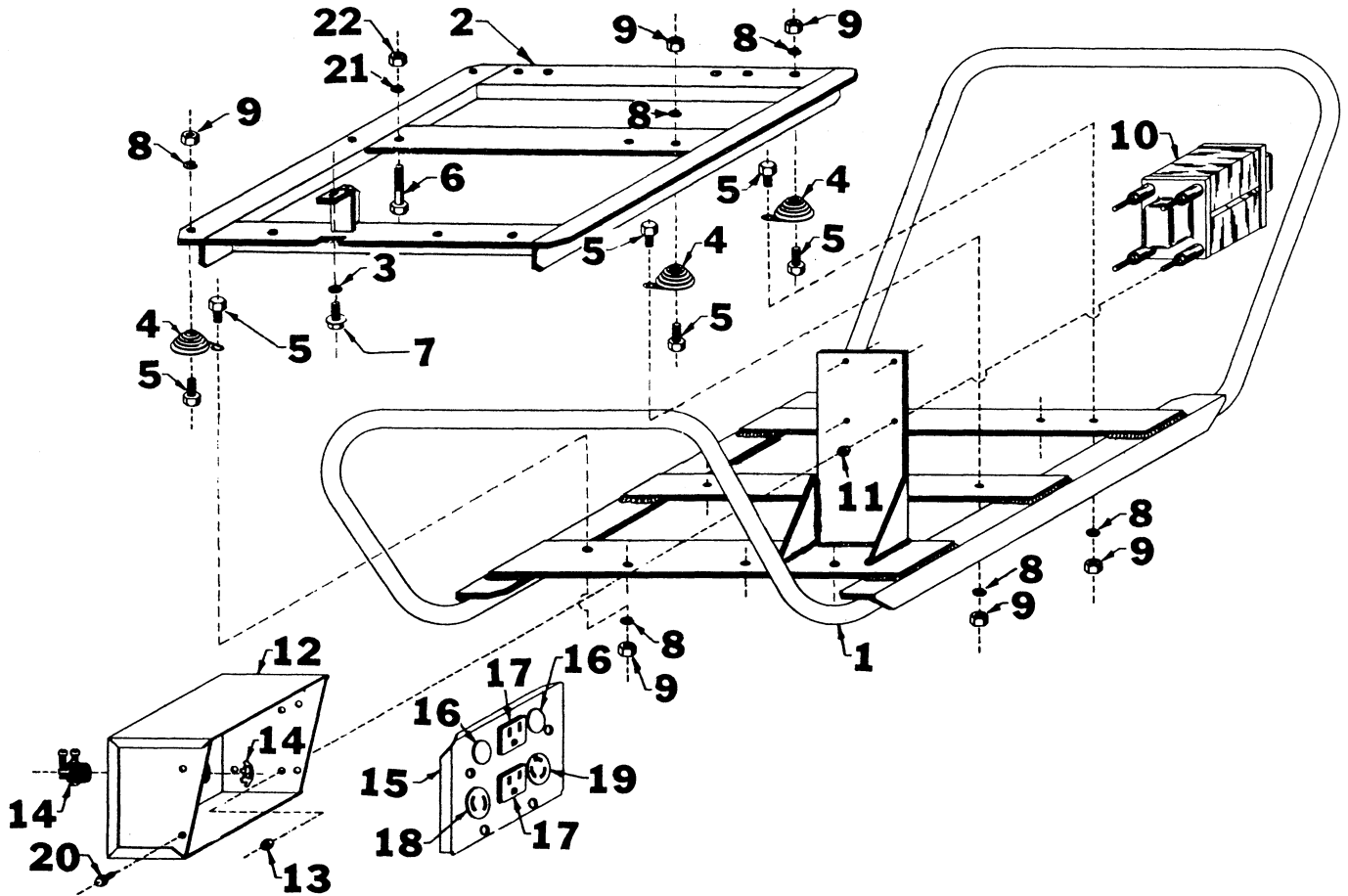
REVISED BUL 6353-2 DATE Nov. '68

Catalog No. 4770

Starting Serial No. 353-1605

WIRING INSTR.

Both Model and Serial No. must be furnished to obtain correct parts.



Item	Part No.	Description	Req'd	Item	Part No.	Description	Req'd
1	42-20-0320	Mounting Base	1	12	22-12-0070	Outlet Box	1
2	42-20-0330	Mounting Base	1	13	06-57-3000	No. 10-32 Lock Nut	4
3	45-88-5245	5/16 Flat Washer	1	14	22-56-0140	Connector	2
4	40-50-6900	Spring	10	15	22-68-0100	Outlet Box Cover	1
5	06-75-0340	5/16-18x1" Hex Hd. Scr.	20	16	44-68-0090	Plug	2
6	06-75-0575	3/8-16x1-1/2 Soc. Hd. Capscrew	4	17	23-33-0130	Outlet Receptacle 115V	2
7	06-75-0300	5/16-18x3/4" Soc. Hd. Screw	1	18	23-33-0150	Outlet Receptacle (Twist Lock 115V)	1
8	06-97-4100	5/16 Lockwasher	20	19	23-33-0160	Outlet Receptacle	1
9	06-55-1980	5/16-18 Hex Nut	20	20	06-81-4650	10-32x3/8" Rd. Hd. Screw	4
10	23-81-0150	Transformer	1	21	06-97-4125	3/8 Lockwasher	4
11	06-55-1100	10-32 Hex Nut	4	22	06-55-2400	3/8-16 Hex. Nut	4



SERVICE PARTS LIST

BUL. 54-00-0501

4000 WATT ALTERNATOR

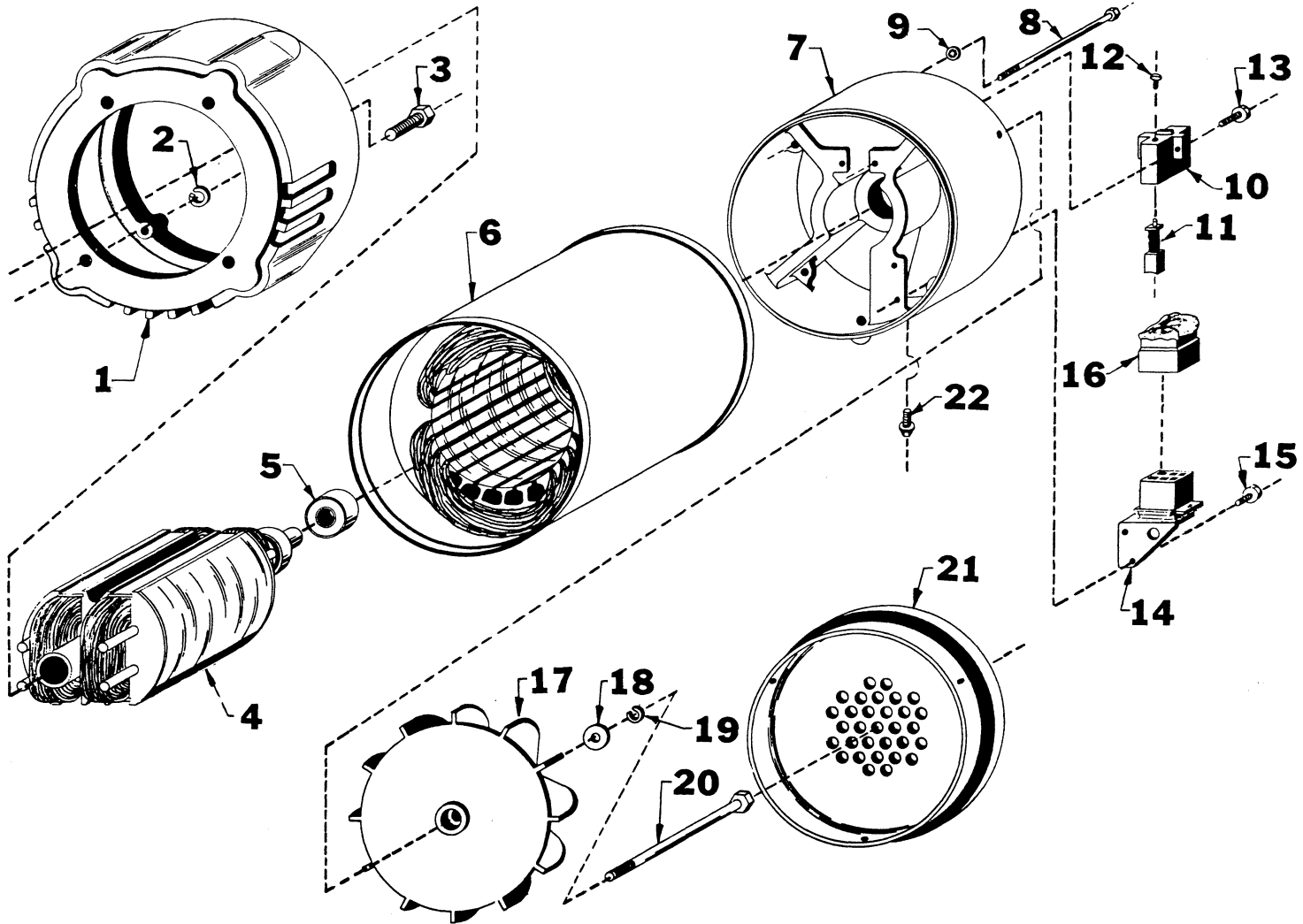
REVISED BUL 6353-2 DATE Nov. '68

Catalog No. 4770

Starting Serial No. 353-1605

WIRING INSTR. 54-00-0521

Both Model and Serial No. must be furnished to obtain correct parts.



Item	Part No.	Description	Req'd	Item	Part No.	Description	Req'd
1	42-04-0240	Adaptor Housing	1	12	06-81-8650	6-32x1/4 Rd. Hd. Sem Scr.	2
2	06-97-4125	3/8 Lockwasher	4	★13	06-81-6200	8-32x5/8 Fil. Hd. Sem Scr.	2
3	06-75-0500	3/8-16x1" Hex Hd. Capscrew	4	14	45-60-0230	Rectifier Support Assembly	1
4	23-40-0170	Rotor Assembly	1	15	06-81-4650	10-32x3/8 Rd. Hd. Scr.	2
5	02-04-1545	Bearing	1	16	23-38-2560	Rectifier Assembly	1
6	23-58-0380	Stator Assembly	1	17	22-84-0400	Fan	1
7	43-76-0171	Rear Gen Housing	1	18	45-88-5245	5/16 Flat Washer	2
8	06-75-0060	10-32x7-7/8 Hex. Hd. Scr.	4	19	06-97-4100	5/16 Lockwasher	1
9	06-97-2200	No. 10 Shakeproof Lockwasher	4	20	06-75-0465	Hex. Hd. Capscrew	1
10	22-20-0220	Brush Holder	1	21	42-92-0161	End Cover	1
11	22-18-0340	Brush	2	22	06-75-2400	No. 10-32x1/2" Soc. Hd. Scr.	3