

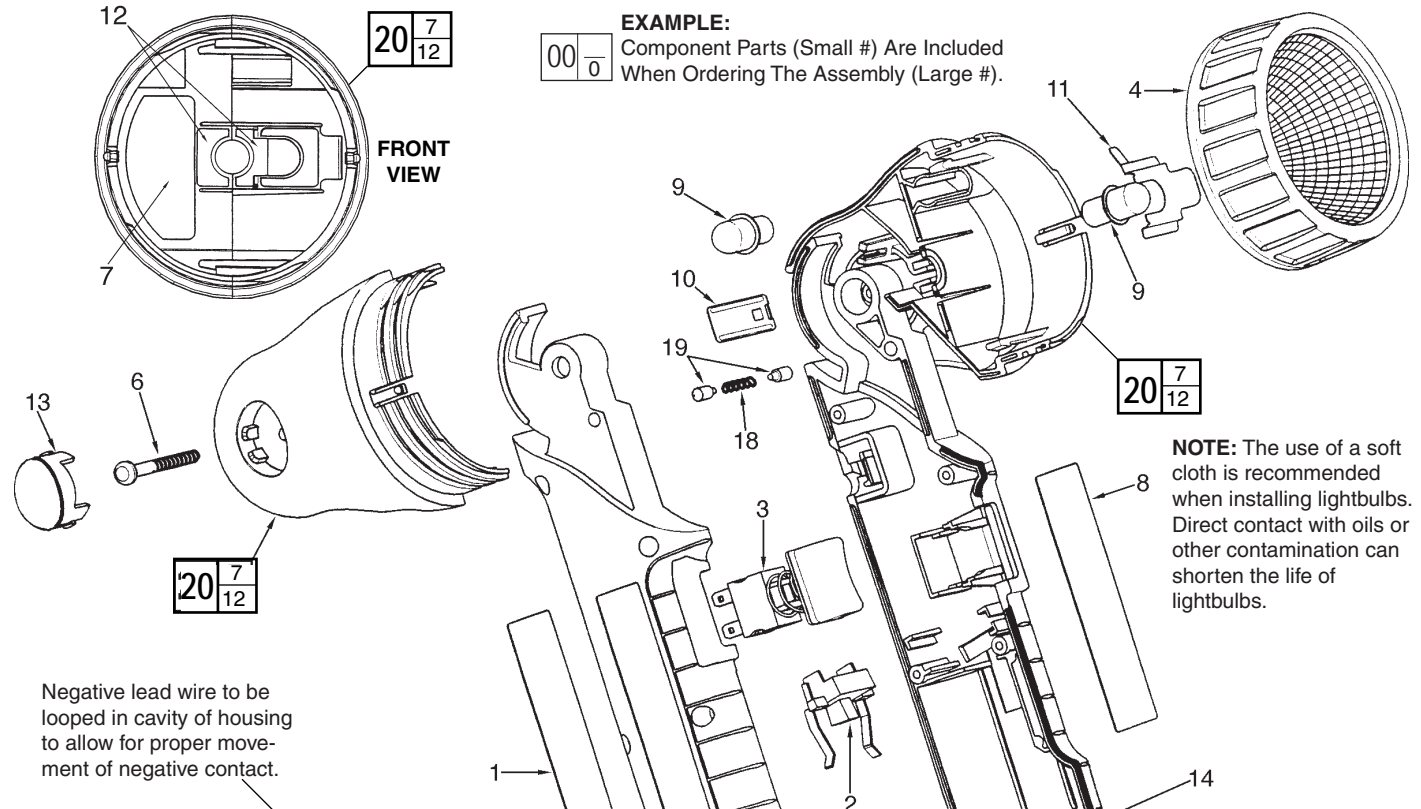


SERVICE PARTS LIST

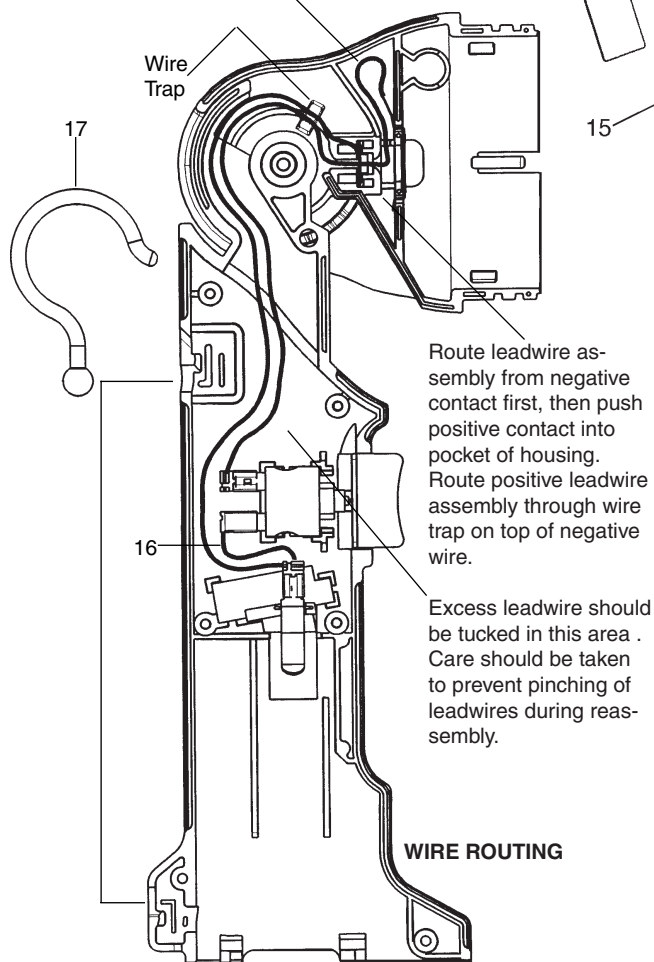
BULLETIN NO.
54-06-9975

| | | | |
|--|--------------------------|--|-----------|
| SPECIFY CATALOG NO. AND SERIAL NO. WHEN ORDERING PARTS | | REVISED BULLETIN | DATE |
| 9.6/12.0 VOLT WORKLIGHT | | | July 2007 |
| CATALOG NO. 49-24-0100 | STARTING SERIAL NO. 869A | WIRING INSTRUCTION SEE BELOW | |

EXAMPLE:
Component Parts (Small #) Are Included
When Ordering The Assembly (Large #).



Negative lead wire to be looped in cavity of housing to allow for proper movement of negative contact.



| FIG. | PART NO. | DESCRIPTION OF PART | NO. REQ. |
|------|------------|---|----------|
| 1 | 12-20-0240 | Service Nameplate Kit | (1) |
| 2 | 22-06-0030 | Battery Contact Assembly | (1) |
| 3 | 23-66-1991 | Switch Assembly | (1) |
| * 4 | 31-58-0675 | Bezel Assembly | (1) |
| 5 | 06-82-7236 | 4-20 x 5/8" Pan Hd. Plastite T-10 | (6) |
| 6 | 06-82-7344 | 7-18 x 1-1/2" Pan Hd. Slit. Plastite T-20 | (1) |
| 7 | 10-15-1620 | Label - Bulb Instruction | (1) |
| 8 | 10-20-0400 | Product Label | (1) |
| 9 | 49-81-0010 | Light Bulb (Pack of 2) | (1) |
| 10 | 22-58-0121 | Bulb Contact Assembly - Positive | (1) |
| 11 | 22-58-0126 | Bulb Contact Assembly - Negative | (1) |
| 12 | 23-16-0550 | Insulator | (2) |
| 13 | 31-12-0230 | Cap | (1) |
| 14 | 31-44-1940 | Left Handle Half | (1) |
| 15 | 31-44-1945 | Right Handle Half | (1) |
| 16 | 23-94-6535 | Leadwire Assembly | (1) |
| 17 | 43-74-0220 | Hook | (1) |
| 18 | 40-50-1320 | Compression Spring | (1) |
| 19 | 44-60-0020 | Detent Pin | (2) |
| 20 | 31-50-0710 | Housing Assembly | (1) |

NOTE: When bulb becomes dim, do not continue to use worklight. Remove battery and charge. Failure to do so can result in a deep discharge and damage or destroy battery.