



SERVICE PARTS LIST

BULLETIN NO.
54-22-1140

3/4 H.P. BENCH GRINDER		REVISED BULLETIN	DATE
			May '93
CATALOG NO. 5041	MOTOR REF. NO. 604477S	WIRING INSTRUCTION 58-01-0025	

PARTS ORDERS MUST INCLUDE:

CATALOG NO. > (FROM NAMEPLATE)
MOTOR REF. NO. >

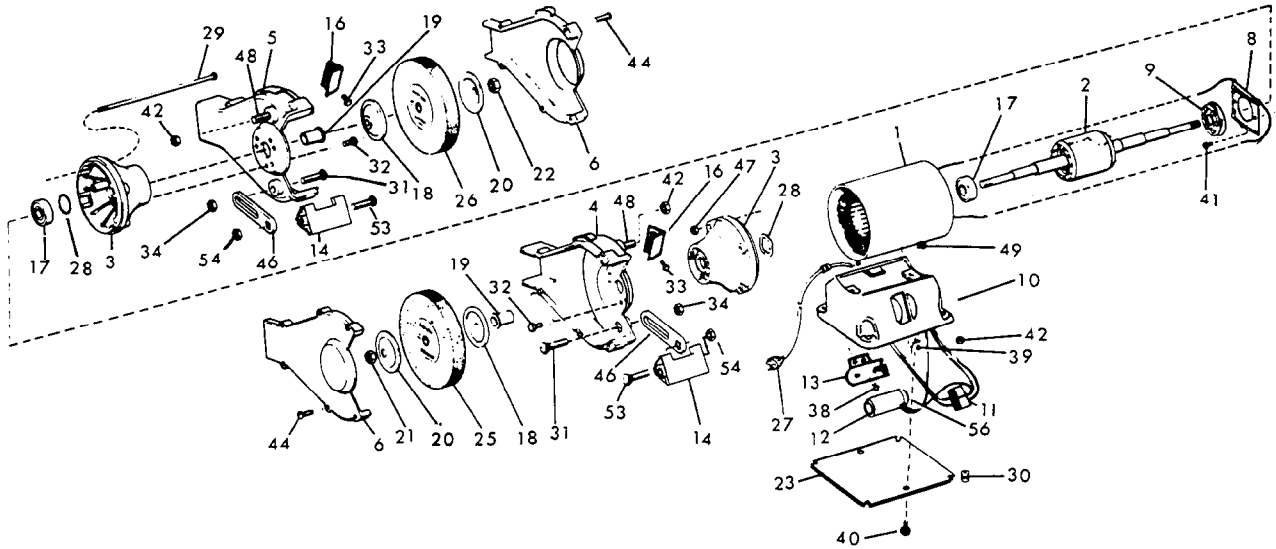


FIG.	PART NO.	DESCRIPTION OF PART	NO. REQ.
1	-	Wound Stator with Frame	(1)
2	23-40-0570	Rotor and Shaft Assembly	(1)
3	42-25-0245	End Shield	(2)
4	43-54-0136	L.H. Wheel Guard	(1)
5	43-54-0137	R.H. Wheel Guard Assembly	(1)
6	42-92-0105	Wheel Guard Cover	(2)
8	23-66-1270	Stationary Switch	(1)
9	23-66-1275	Rotating Start Switch	(1)
10	42-20-0600	Base	(1)
11	23-66-1260	On-Off Switch	(1)
12	22-33-0200	Capacitor	(1)
13	22-40-0090	Capacitor Bracket	(1)
14	44-85-0170	Tool Rest	(2)
16	45-12-0126	Spark Guard	(2)
17	02-04-5047	Bearing	(2)
18	43-34-0026	Inner Flange	(2)
19	45-36-0635	Spacer Sleeve	(2)
20	43-34-0047	Outer Flange	(2)
21	06-55-3325	L.H. 5/8-18 Hex Nut	(1)
22	06-55-3300	R.H. 5/8-18 Hex Nut	(1)
23	42-92-0055	Base Cover	(1)
25	-	Grinding Wheel	(1)

FIG.	PART NO.	DESCRIPTION OF PART	NO. REQ.
26	-	Grinding Wheel	(1)
27	22-64-2780	Cord Set	(1)
28	40-50-7661	Finger Spring	(2)
29	06-75-0068	Thru Bolt	(4)
30	42-38-0086	Base Bumper	(4)
31	06-10-3230	5/16-18 x 1-3/8 Carriage Bolt	(2)
32	06-81-3210	5/16-18 x 7/8 Self Lock Screw	(6)
33	06-81-3197	1/4-20 x 3/8 Self Lock Screw	(2)
34	06-57-5040	5/16-18 Hex Lock Nut	(2)
38	06-81-2810	10-32 x 1/2 Flat Hd. Screw	(2)
39	06-81-5375	8-32 x 1/4 Ground Screw	(1)
40	06-81-0452	8-32 x 3/8 Pan Hd. Screw	(2)
41	06-81-0452	8-32 x 3/8 Pan Hd. Screw	(2)
42	06-55-1985	5/16-18 Hex Nut	(6)
44	06-81-4730	1/4-20 x 7/8 R.D. Hd. Screw	(12)
46	42-36-1360	Tool Rest Support	(2)
47	06-57-6060	10-32 Whiz Lock Nut	(4)
48	06-10-3230	5/16-18 x 1-3/8 Carriage Bolt	(2)
49	06-10-3200	5/16-18 x 7/8 Carriage Bolt	(2)
53	06-10-1200	3/8-16 x 1 Carriage Bolt	(2)
54	06-57-5165	3/8-16 Hex Lock Nut	(2)
56	42-52-0280	Capacitor Cap	(1)