



SERVICE PARTS LIST

BULLETIN NO.
54-22-1041

SPECIFY CATALOG NO. AND SERIAL NO. WHEN ORDERING PARTS		REVISED BULLETIN	DATE
2" DIE GRINDER		58-01-1040	Nov. '88
CATALOG NO. 5196	STARTING SERIAL NO. 675-8916	WIRING INSTRUCTION 58-01-0301	



EXAMPLE:
Component Parts (Sm#) Are Included
When Ordering The Assembly (Large #).

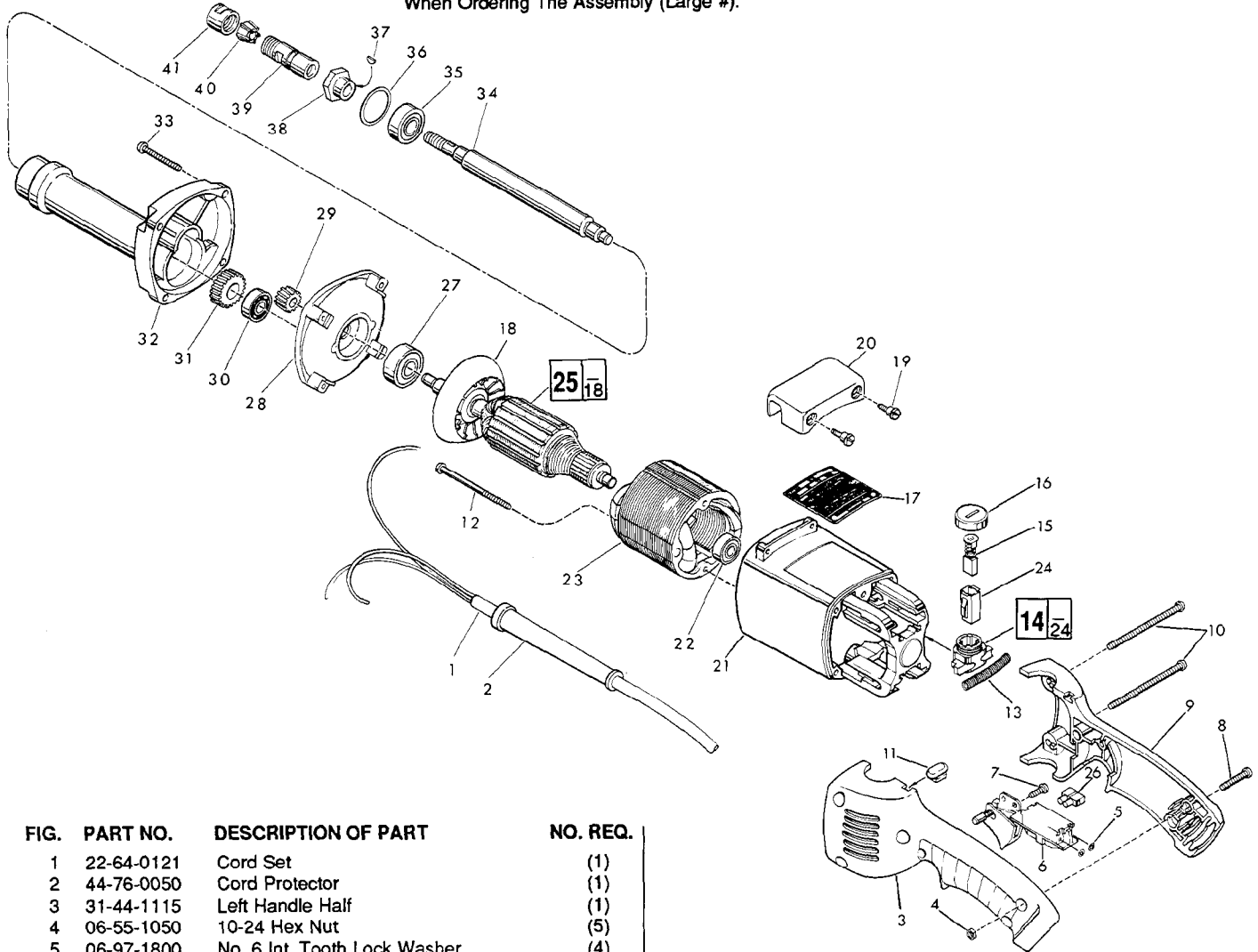


FIG.	PART NO.	DESCRIPTION OF PART	NO. REQ.
	1	22-64-0121 Cord Set	(1)
	2	44-76-0050 Cord Protector	(1)
	3	31-44-1115 Left Handle Half	(1)
	4	06-55-1050 10-24 Hex Nut	(5)
	5	06-97-1800 No. 6 Int. Tooth Lock Washer	(4)
	6	23-66-0255 Switch	(1)
	7	06-82-7409 8-16x1/2 Pan Hd. Plastite Torx Screw	(1)
	8	06-82-2568 10-24 x 7/8" Pan Hd. Slit. Torx Screw	(3)
	9	31-44-1110 Right Handle Half	(1)
	10	06-82-2598 10-24x2-3/4" Pan Hd. Slit. Torx Screw	(2)
	11	42-38-0190 Bumper	(1)
★	12	06-82-7375 8-16 x 2-1/2" Torx Taptite Screw	(2)
	13	40-50-7770 Brush Holder Spring	(2)
★	14	22-22-1325 Brush Holder Assembly	(2)
★	15	22-18-0680 Carbon Brush Assembly	(2)
★	16	23-44-0210 Brush Retaining Screw	(2)
★	17	12-99-0292 Nameplate (Service)	(1)
	18	22-84-0710 Fan	(1)
	19	45-04-0570 Shoulder Screw	(2)
	20	31-70-0125 Tool Rest	(1)
★	21	31-50-0540 Motor Housing	(1)
	22	02-04-0845 Ball Bearing	(1)
	23	18-50-0090 120 Volt Field	(1)
	24	22-20-0660 Brush Tube	(2)
	25	16-50-0130 120 Volt Armature	(1)
	26	22-56-0456 Terminal Block	(1)
	27	02-04-1230 Ball Bearing	(1)
	28	28-28-1565 Diaphragm	(1)
	29	32-02-3020 Armature Gear	(1)

FIG.	PART NO.	DESCRIPTION OF PART	NO. REQ.
	30	02-04-0910 Ball Bearing	(1)
	31	32-75-3030 Spindle Gear	(1)
	32	28-50-6190 Spindle Housing	(1)
	33	06-82-7407 10-14 x 1-9/16" Pan Hd. Torx Screw	(4)
	34	38-50-5320 Spindle Shaft	(1)
	35	02-04-1230 Ball Bearing	(1)
	36	34-80-2600 Internal Retaining Ring	(1)
	37	06-42-0400 Woodruff Key	(1)
	38	43-34-0390 Collet Flange	(1)
	39	48-68-0040 1/4" Collet Body	(1)
	40	48-66-0975 1/4" Collet	(1)
	41	48-68-0030 1/4" Collet Nut	(1)
		49-96-4040 1/2" Open End Wrench	(1)
		49-96-4090 11/16" Open End Wrench	(1)
		49-96-4075 1" Open End Wrench	(1)

FIG. LUBRICATION

32 3/4 Oz. Type "D" Grease, No. 49-08-4110.

MILWAUKEE ELECTRIC TOOL CORPORATION
13135 W. LISBON RD., BROOKFIELD, WI 53005