



SERVICE PARTS LIST

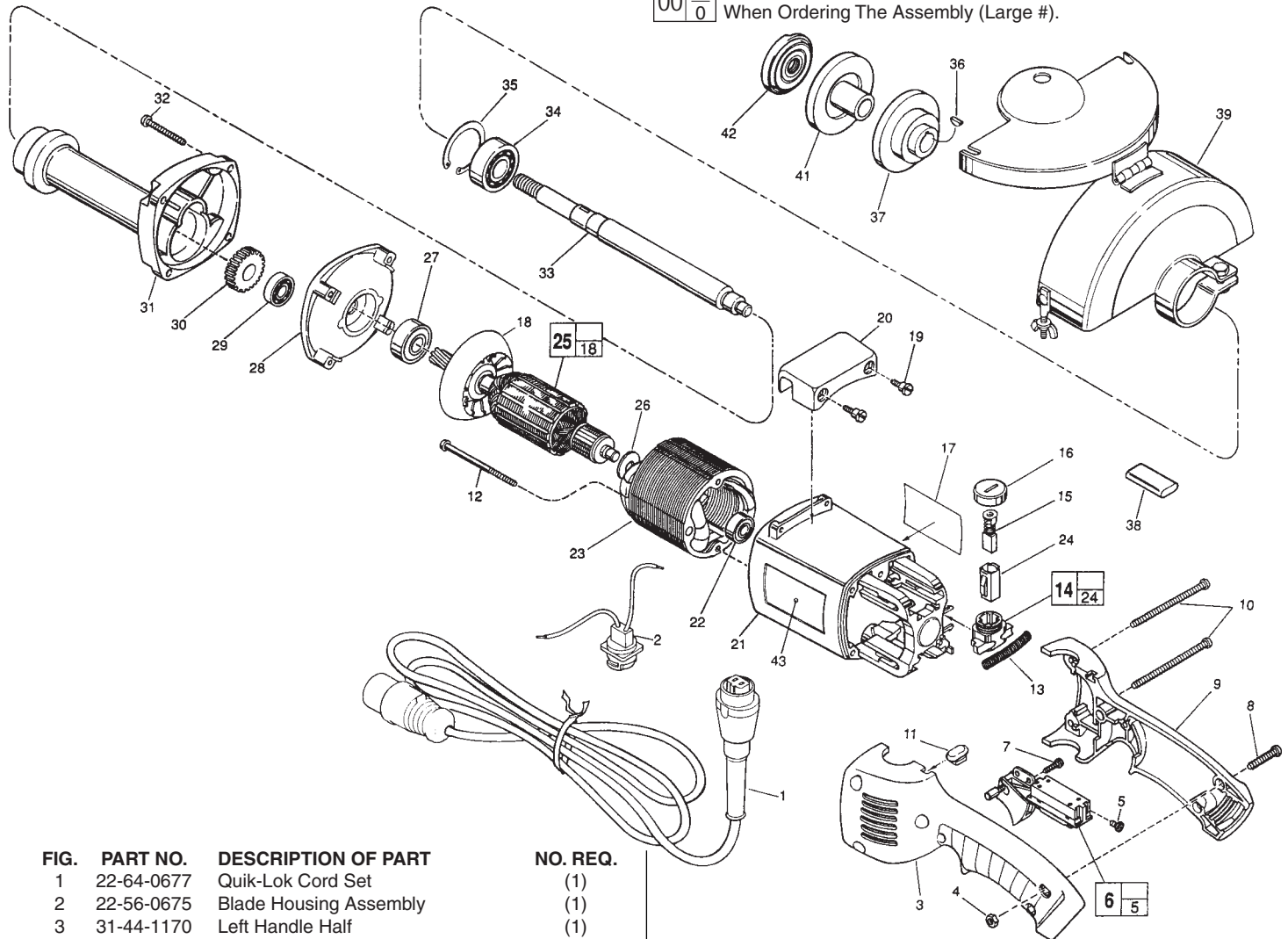
BULLETIN NO.
55-22-8025

| | | | |
|--|---------------------------------|---|-----------|
| SPECIFY CATALOG NO. AND SERIAL NO. WHEN ORDERING PARTS | | REVISED BULLETIN | DATE |
| 125mm STRAIGHT GRINDER | | | June 2006 |
| CATALOG NO. 5223-55 | STARTING SERIAL NO. A41A | WIRING INSTRUCTION 58-03-1750 | |

EXAMPLE:

| | |
|----|---|
| 00 | 0 |
|----|---|

 Component Parts (Small #) Are Included When Ordering The Assembly (Large #).



| FIG. | PART NO. | DESCRIPTION OF PART | NO. REQ. |
|------|------------|-----------------------------------|----------|
| 1 | 22-64-0677 | Quik-Lok Cord Set | (1) |
| 2 | 22-56-0675 | Blade Housing Assembly | (1) |
| 3 | 31-44-1170 | Left Handle Half | (1) |
| 4 | 06-55-1050 | 10-24 Hex Nut | (5) |
| 5 | 05-78-0305 | Switch Screw T-15 | (4) |
| 6 | 23-66-1804 | Switch | (1) |
| 7 | 06-82-7409 | 8-16 x 1/2" Pan Hd. Plast. T-20 | (1) |
| 8 | 06-82-2568 | 10-24 x 7/8" Slit. Pan Hd. T-25 | (3) |
| 9 | 31-44-1175 | Right Handle Half | (1) |
| 10 | 06-82-2598 | 10-24 x 2-3/4" Slit. Pan Hd. T-25 | (2) |
| 11 | 42-38-0190 | Bumper | (1) |
| 12 | 06-82-7375 | 8-16 x 2-1/2" Taptite T-20 | (2) |
| 13 | 40-50-7770 | Brush Holder Spring | (2) |
| 14 | 22-22-1325 | Brush Holder Assembly | (2) |
| 15 | 22-18-0680 | Carbon Brush Assembly | (2) |
| 16 | 23-44-0210 | Brush Retaining Screw | (2) |
| 17 | 12-20-5223 | Service Nameplate Kit | (1) |
| 18 | 22-84-0710 | Fan | (1) |
| 19 | 45-04-0720 | Shoulder Screw | (2) |
| 20 | 31-70-0125 | Tool Rest | (1) |
| 21 | 31-50-0548 | Motor Housing | (1) |
| 22 | 02-04-0845 | Ball Bearing | (1) |
| 23 | 18-50-1405 | Field | (1) |
| 24 | 22-20-0660 | Brush Tube | (2) |
| 25 | 16-50-1135 | Armature | (1) |
| ★ 26 | 23-16-1700 | Commutator Insulator | (1) |
| 27 | 02-04-1515 | Ball Bearing | (1) |
| 28 | 28-28-1567 | Diaphragm | (1) |
| 29 | 02-04-0910 | Ball Bearing | (1) |

| FIG. | PART NO. | DESCRIPTION OF PART | NO. REQ. |
|------|------------|------------------------------|----------|
| 30 | 32-75-3140 | Spindle Gear | (1) |
| 31 | 28-50-6196 | Spindle Housing | (1) |
| 32 | 06-82-7407 | 10-14 x 1-9/16" Pan Hd. T-25 | (4) |
| 33 | 38-50-5341 | Spindle Shaft | (1) |
| 34 | 02-04-1745 | Ball Bearing | (1) |
| 35 | 34-80-2960 | Internal Retaining Ring | (1) |
| 36 | 06-42-1200 | Woodruff Key | (1) |
| 37 | 43-34-0194 | Inner Wheel Flange | (1) |
| 38 | 22-33-0535 | Suppressor | (1) |
| 39 | 49-12-0295 | Wheel Guard | (1) |
| 41 | 43-34-0193 | Outer Wheel Flange | (1) |
| 42 | 05-59-0120 | Fixtec Nut | (1) |
| 43 | 10-15-5223 | Logo Label | (1) |
| | 49-96-6600 | Spanner Wrench | (1) |

FIG. LUBRICATION

31 Place 22 grams of Type "G" Grease, No. 49-08-4140 in gear cavity of Spindle Housing.

MILWAUKEE ELECTRIC TOOL CORPORATION
13135 W. LISBON RD., BROOKFIELD, WI 53005
Drwg. 2