

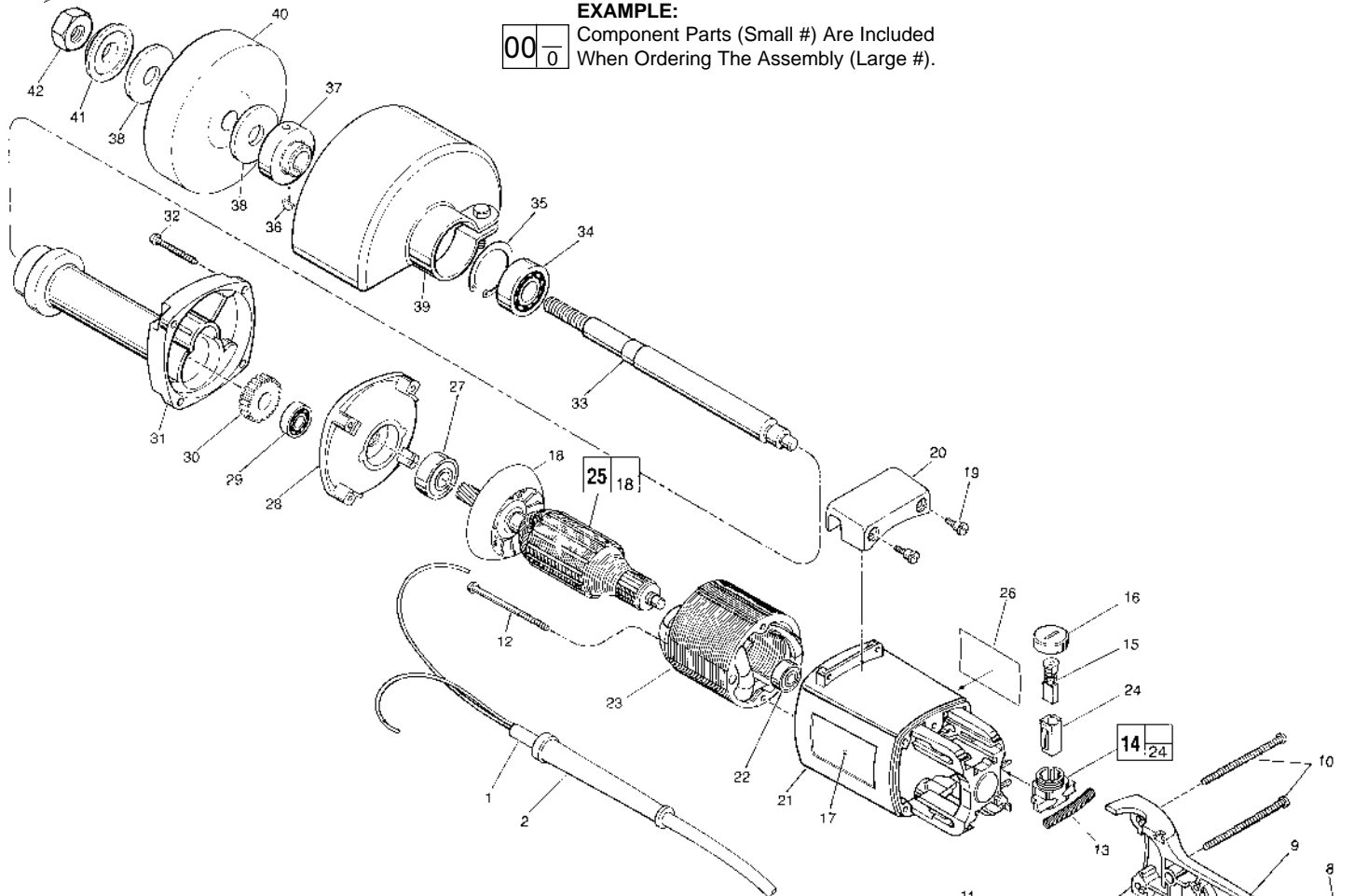


SERVICE PARTS LIST

BULLETIN NO.
54-22-1194

| SPECIFY CATALOG NO. AND SERIAL NO. WHEN ORDERING PARTS | | REVISED BULLETIN | DATE |
|--|-------------|---------------------------|-----------|
| 5" STRAIGHT GRINDER | | 54-22-1193 | Oct. 2000 |
| CATALOG NO. | 5223 | WIRING INSTRUCTION | |
| STARTING SERIAL NO. | 584C | 58-01-0313 | |

EXAMPLE:
 Component Parts (Small #) Are Included
 When Ordering The Assembly (Large #).



| FIG. PART NO. | DESCRIPTION OF PART | NO. REQ. |
|---------------|--|----------|
| 1 | 22-64-0785 Cord Set | (1) |
| 2 | 44-76-0050 Cord Protector | (1) |
| 3 | 31-44-1116 Left Handle Half | (1) |
| 4 | 06-55-1050 10-24 Hex Nut | (5) |
| 5 | 05-78-0305 Switch Screw T-15 | (4) |
| 6 | 23-66-1805 Switch | (1) |
| 7 | 06-82-7409 8-16 x 1/2" Pan Hd. Plast. T-20 | (1) |
| 8 | 06-82-2568 10-24 x 7/8" Slit. Pan Hd. T-25 | (3) |
| 9 | 31-44-1711 Right Handle Half | (1) |
| 10 | 06-82-2598 10-24 x 2-3/4" Slit. Pan Hd. T-25 | (2) |
| 11 | 42-38-0190 Bumper | (1) |
| 12 | 06-82-7375 8-16 x 2-1/2" Taptite T-20 | (2) |
| 13 | 40-50-7770 Brush Holder Spring | (2) |
| 14 | 22-22-1325 Brush Holder Assembly | (2) |
| 15 | 22-18-0680 Carbon Brush Assembly | (2) |
| 16 | 23-44-0210 Brush Retaining Screw | (2) |
| ★17 | 12-20-5205 Service Nameplate Kit | (1) |
| 18 | 22-84-0710 Fan | (1) |
| 19 | 45-04-0720 Shoulder Screw | (2) |
| 20 | 31-70-0125 Tool Rest | (1) |
| ★21 | 31-50-0548 Motor Housing | (1) |
| 22 | 02-04-0845 Ball Bearing | (1) |
| 23 | 18-50-0135 Field | (1) |
| 24 | 22-20-0660 Brush Tube | (2) |
| 25 | 16-50-1135 Armature | (1) |
| ★26 | 10-98-1820 Warning Label | (1) |
| 27 | 02-04-1515 Ball Bearing | (1) |
| 28 | 28-28-1567 Diaphragm | (1) |
| 29 | 02-04-0910 Ball Bearing | (1) |
| 30 | 32-75-3140 Spindle Gear | (1) |
| 31 | 28-50-6196 Spindle Housing | (1) |

| FIG. PART NO. | DESCRIPTION OF PART | NO. REQ. |
|---------------|---|----------|
| 32 | 06-82-7407 10-14 x 1-9/16" Pan Hd. T-25 | (4) |
| 33 | 38-50-5340 Spindle Shaft | (1) |
| ★34 | 02-04-1745 Ball Bearing | (1) |
| 35 | 34-80-2960 Internal Retaining Ring | (1) |
| 36 | 06-42-1200 Woodruff Key | (1) |
| 37 | 43-34-0191 Inner Wheel Flange | (1) |
| 38 | 45-88-0165 Rubber Washer | (2) |
| 39 | 49-12-0290 Wheel Guard | (1) |
| 40 | ----- 5" Grinding Wheel (Select from Catalog) | (1) |
| 41 | 43-34-0192 Outer Wheel Flange | (1) |
| 42 | 06-55-3250 5/8 - 11 Hex Nut | (1) |
| | 49-96-4072 1-1/16" Open End Wrench | (1) |
| | 49-96-6600 Spanner Wrench | (1) |

FIG. LUBRICATION
 31 Place 3/4 Oz. of Type "G" Grease, No. 49-08-4140 in gear cavity of Spindle Housing.

MILWAUKEE ELECTRIC TOOL CORPORATION
 13135 W. LISBON RD., BROOKFIELD, WI 53005
 Drwg. 2