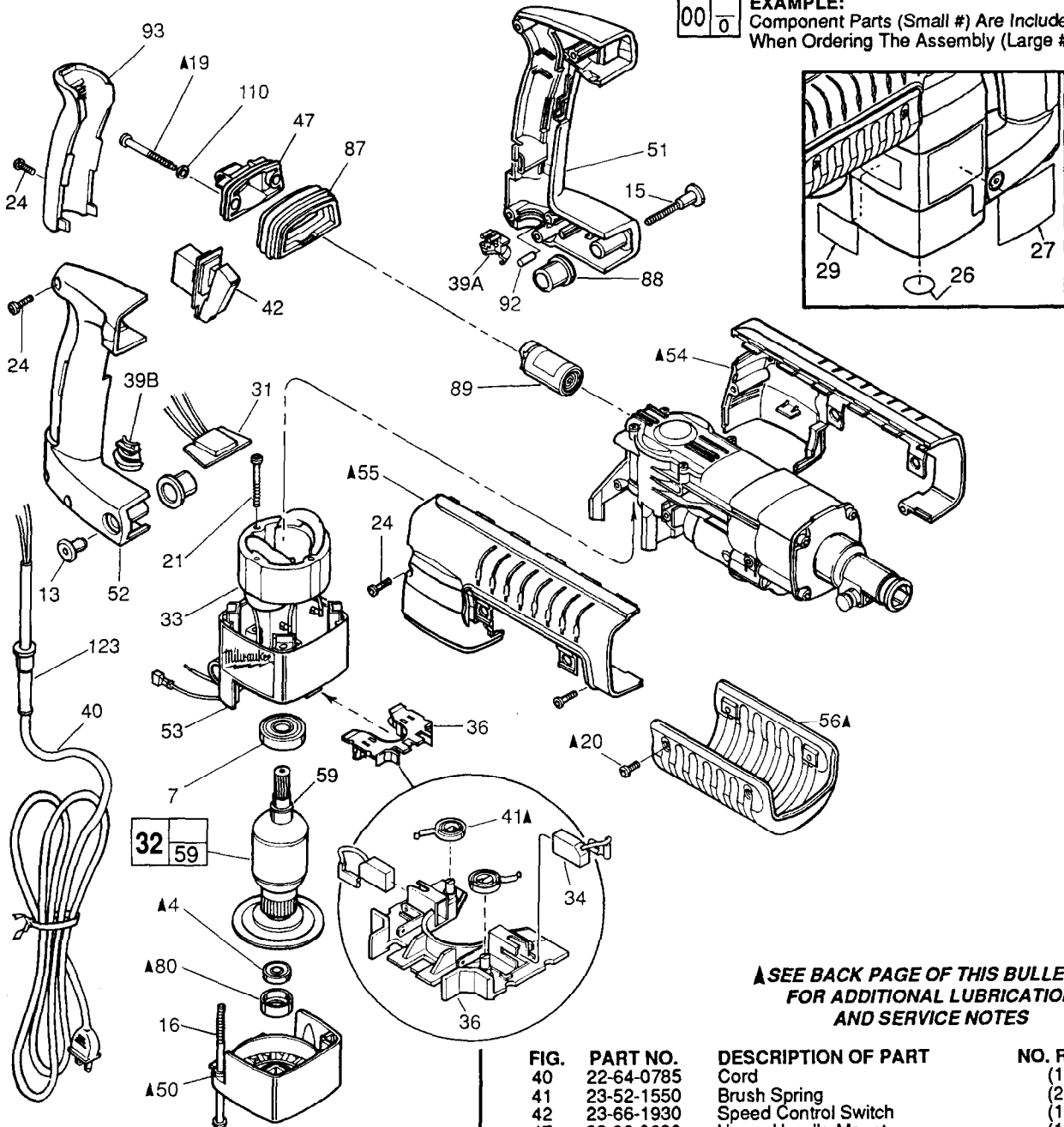




SERVICE PARTS LIST

SPECIFY CATALOG NO. AND SERIAL NO. WHEN ORDERING PARTS		REVISED BULLETIN	DATE
LIGHT CHIPPER HAMMER			Sept. '96
CATALOG NO. 5334	STARTING SERIAL NO. 881A	WIRING INSTRUCTION 58-01-1555	

EXAMPLE:
Component Parts (Small #) Are Included When Ordering The Assembly (Large #).

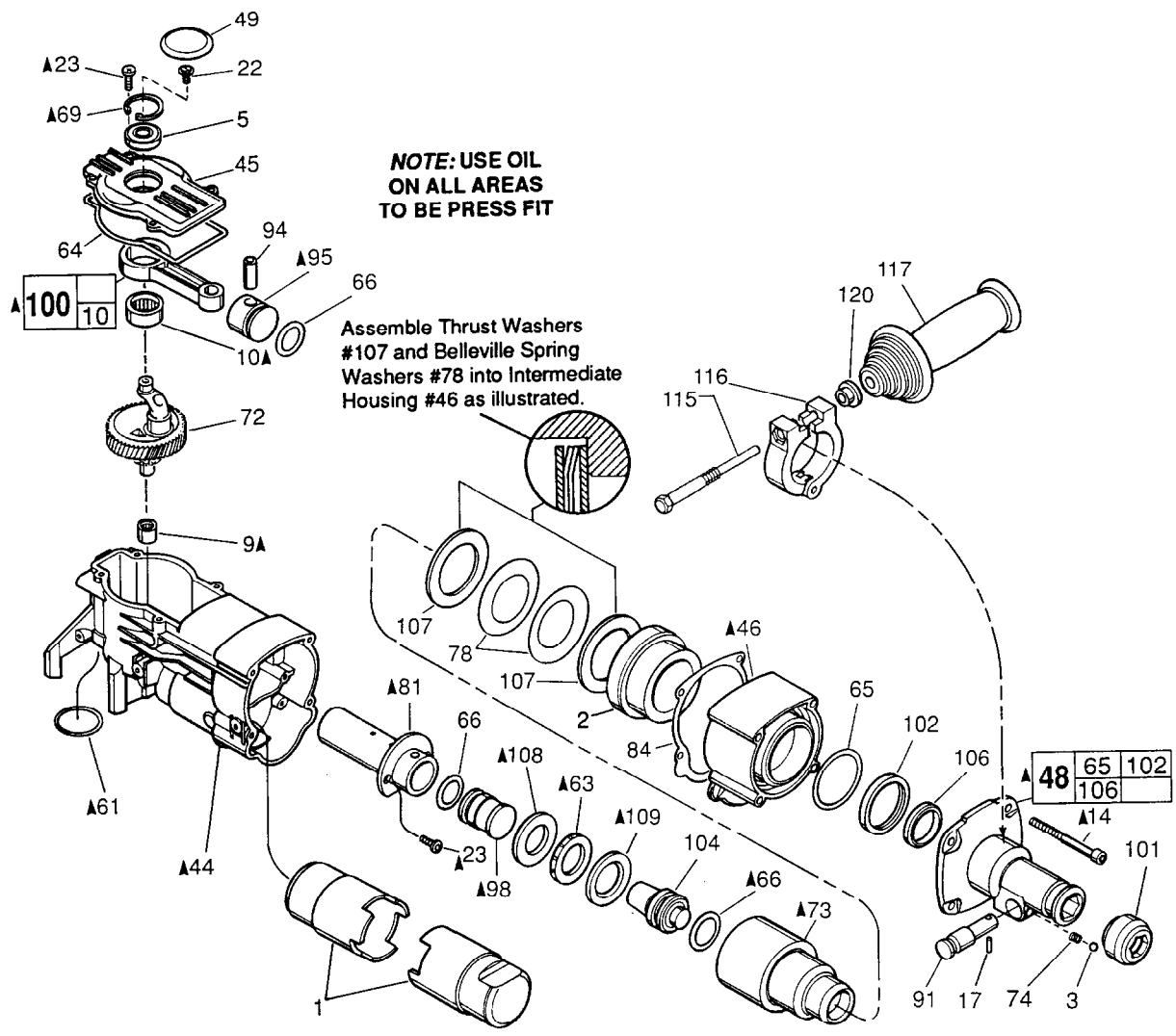


▲SEE BACK PAGE OF THIS BULLETIN FOR ADDITIONAL LUBRICATION AND SERVICE NOTES

FIG.	PART NO.	DESCRIPTION OF PART	NO. REQ.
4	02-04-0847	Ball Bearing	(1)
7	02-04-1525	Ball Bearing	(1)
13	05-59-0100	Pivot Nut	(1)
15	05-77-0100	Pivot Bolt	(1)
16	05-81-0920	M6 x 1.0 x 120 Pan Hd. Slit. Tapt. T-27	(2)
19	06-81-1805	Special Screw	(4)
20	06-82-7252	8-32 x 3/8" Pan Hd. Slit. Tapt. T-20	(4)
21	06-82-7425	8-16 x 2" Pan Hd. Slit. Plast. T-20	(2)
24	06-95-6290	M5 x 2.24 x 18 Pan Hd. Slit. PT T-20	(7)
26	10-75-2760	Milwaukee Label	(1)
27	10-98-5316	Product Label	(1)
29	12-20-3305	Service Nameplate Kit	(1)
31	14-20-0725	Remote Trigger Speed Control	(1)
32	16-50-1260	120 Volt Armature	(1)
33	18-50-0260	120 Volt Field	(1)
34	22-18-0870	120 V Carbon Brush (2) Kit	(1)
36	22-22-1480	Brush Carrier Assembly	(1)
39A	31-17-0260	Lower Cord Clamp	(1)
39B	31-17-0265	Upper Cord Clamp	(1)

FIG.	PART NO.	DESCRIPTION OF PART	NO. REQ.
40	22-64-0785	Cord	(1)
41	23-52-1550	Brush Spring	(2)
42	23-66-1930	Speed Control Switch	(1)
47	28-90-0280	Upper Handle Mount	(1)
50	31-15-0430	Motor Cover	(1)
51	31-44-1825	Left Handle Half	(1)
52	31-44-1830	Right Handle Half	(1)
53	31-50-0530	Motor Housing	(1)
54	31-55-0200	Left Shroud	(1)
55	31-55-0210	Right Shroud	(1)
56	31-55-0225	Belly Shroud	(1)
59	34-60-3620	Retaining Ring	(1)
80	42-96-0130	Bearing Cup	(1)
87	43-87-0030	Isolation Bellows	(1)
88	43-87-0040	Pivot Isolator	(2)
89	43-87-0060	Isolation Module Assembly	(1)
92	14-46-1001	Foam Slug Kit (Bag of 10)	(1)
93	44-52-0580	Handle Cushion	(1)
110	45-88-8555	Rubber Washer	(2)
123	44-76-0210	Cord Protector	(1)

MILWAUKEE ELECTRIC TOOL CORPORATION
13135 W. LISBON RD., BROOKFIELD, WI 53005



FASTENER TORQUE SPECIFICATIONS (IN./LBS.)		
FIG. NO.	SEATING TORQUE	
	MINIMUM	MAXIMUM
14	120	140
15	20	25
16	30	35
19	30	35
20	25	30
21	20	25
22	25	30
23	BARREL	30 35
	CRANKCASE COVER	25 30
24	HANDLE HALVES AND SHROUDS	20 25
	CUSHION GRIP	10 15
25	35	45

22-18-0870 CARBON BRUSH SERVICE KIT
 THIS KIT CONTAINS:
 2 Carbon Brush

● **14-46-9070 1-1/2" HAMMER SERVICE KIT**
 THIS KIT CONTAINS:

1	31-12-0270	Cap-Cover
1	34-40-4310	Rubber Damping Washer
1	34-40-4320	Seal-Cover
1	34-40-4330	O-Ring
3	34-40-4350	O-Ring
1	42-96-0130	Bearing Cup
1	43-44-0970	Gasket
1	45-06-0540	Dust Seal-Hex
1	49-08-4230	5 Oz. Tube "N" Grease

▲ **SEE BACK PAGE OF THIS BULLETIN FOR ADDITIONAL LUBRICATION AND SERVICE NOTES**

FIG.	PART NO.	DESCRIPTION OF PART	NO. REQ.
1	31-01-0030	Grease Displacer	(2)
2	45-60-0615	Spindle Support	(1)
3	02-02-0250	1/4" Steel Ball	(1)
5	02-04-0911	Ball Bearing	(1)
9	02-50-2470	Needle Bearing	(1)
10	02-50-4020	Needle Bearing	(1)
14	05-74-0670	M6 x 1.0 x 70 Skt. Hd. Cap Screw T-27	(4)
17	06-65-0828	Groove Pin	(1)
22	06-82-8842	8-32 x 3/8" Pan Hd. Slit. Taptite T-20	(1)
23	06-95-6280	M4 x 0.7 x 14 Pan Hd. Slit. Taptite T-20	(6)
44	28-14-2255	Crankcase	(1)
45	28-20-1325	Crankcase Cover	(1)
46	28-50-6445	Intermediate Housing	(1)
48	14-52-0020	Nose Assembly	(1)
49	31-12-0270	Cap-Cover	(1)
61	34-40-1375	O-Ring	(1)
63	34-40-4310	Rubber Damping Washer	(1)
64	34-40-4320	Seal-Cover	(1)
65	34-40-4330	O-Ring	(1)
66	34-40-4350	O-Ring	(3)
69	34-80-5090	Retaining Ring-Beveled	(1)
72	14-09-0150	Crankshaft Assembly	(1)
73	38-50-6060	Spindle	(1)
74	40-50-8420	Bit Lock Spring	(1)
78	40-50-8590	Belleville Spring	(2)
81	42-98-0240	Barrel	(1)
84	43-44-0970	Gasket	(1)
91	44-20-0222	Bit Lock	(1)
94	44-60-1400	Wrist Pin	(1)
95	44-62-0210	Piston	(1)
98	44-82-0170	Ram	(1)
100	44-94-0395	Connecting Rod Assembly	(1)
101	49-62-0095	Dust Seal-Hex (5/pkg.)	(1)
102	45-06-0560	Oil Seal	(1)
104	45-56-2610	Striker	(1)
106	45-88-5176	Felt Seal	(1)
107	45-88-8520	Thrust Washer	(2)
108	45-88-8530	Barrel Thrust Washer	(1)
109	45-88-8535	Striker Cushion Washer	(1)
115	06-14-0030	Hex Head Cap Screw-Special	(1)
116	14-34-0540	Handle Ring Assembly	(1)
117	14-34-0510	Side Handle Assembly	(1)
120	45-36-1570	Spacer	(1)

61-10-0670 Nose Service Tool

NOTE: Check the clutch torque. Clutch must slip at 30 to 40 ft.-lbs. at the spindle, checked clockwise as viewed from the front of the tool.

▲ SEE BACK PAGE OF THIS BULLETIN FOR ADDITIONAL LUBRICATION AND SERVICE NOTES

LUBRICATION NOTES: (TYPE "N" GREASE, NO. 49-08-4230)

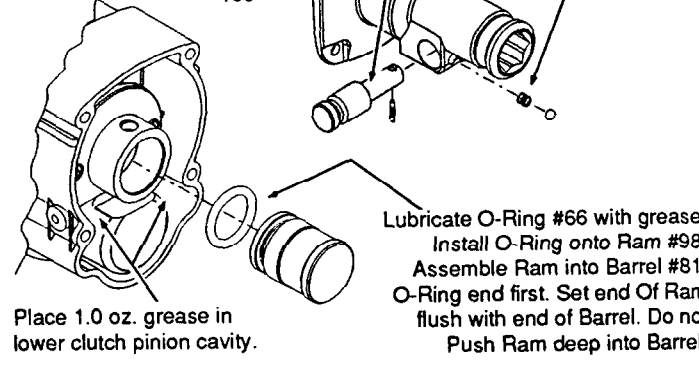
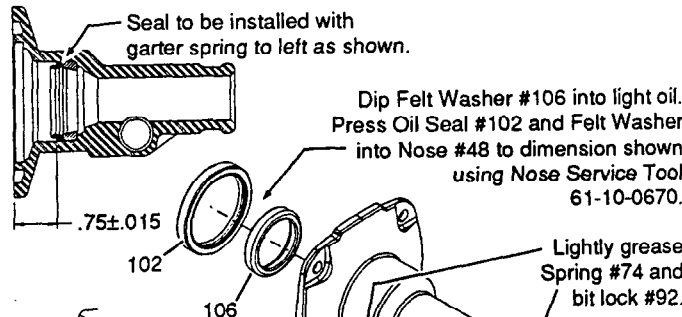
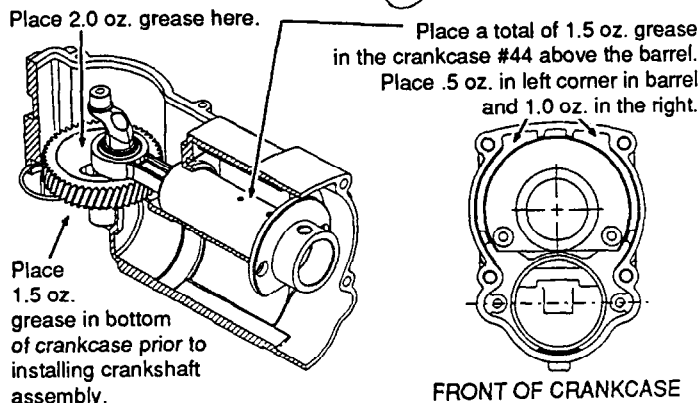
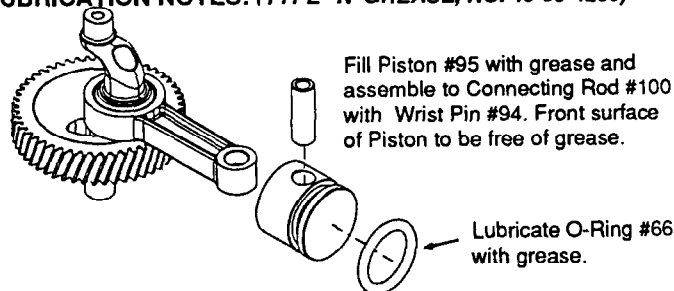
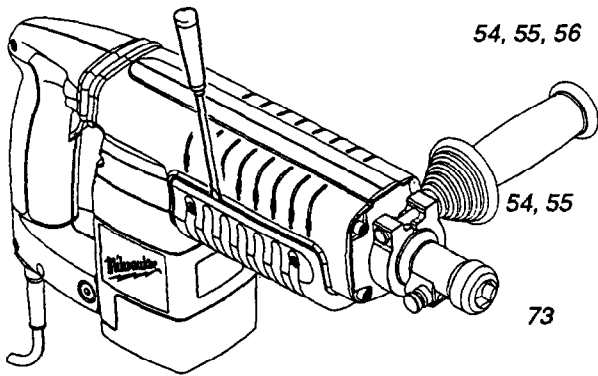


FIG. ▲ NOTES



54, 55, 56

TO REMOVE BELLY SHROUD #56 FROM TOOL, INSERT SMALL SCREW DRIVER INTO GROOVE BETWEEN BELLY AND SIDE SHROUDS #54 AND #55, ABOUT 1/3 OF THE WAY FROM THE MOTOR END, AS SHOWN. PRY OUT AND DOWN ON BOTH SIDES OF THE TOOL.

TO INSTALL THE SIDE SHROUDS #54 AND #55, THE TOP HINGE OF THE SHROUDS MUST BE COMPLETELY INTERLOCKED, THEN THE BACK SIDE ROTATED CLOSED AROUND THE TOOL.

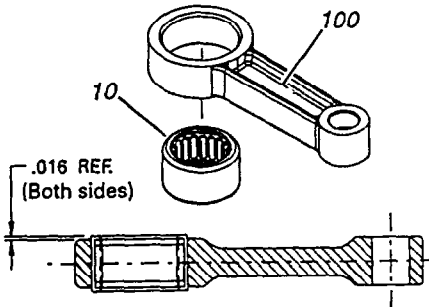
LUBRICATE ALL BORES IN SPINDLE #73 WITH A MEDIUM COATING OF GREASE.

63, 108, 109

LUBRICATE RUBBER DAMPING WASHER #63, BARREL THRUST WASHER #108 AND STRIKER CUSHION WASHER #109 WITH A MEDIUM COATING OF GREASE BEFORE ASSEMBLY.

10, 100

PRESS NEEDLE BEARING #10 IN ROD #100 SO THAT THE SAME AMOUNT STICKS OUT ON BOTH SIDES OF THE ROD, AS SHOWN.



9, 44

PRESS NEEDLE BEARING #9 INTO CRANKCASE #44, FLUSH WITH TOP OF BORE, AS SHOWN.

81

LIGHTLY GREASE INSIDE OF BARREL #81 BEFORE ASSEMBLY.

48, 73

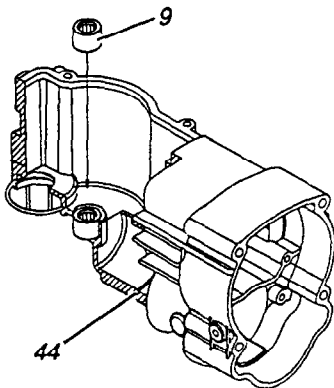
SMALL OUTSIDE DIAMETER OF SPINDLE #73 IS TO BE LUBRICATED WITH A LIGHT COAT OF GREASE BEFORE ASSEMBLING THE NOSE ASSEMBLY #48 TO THE TOOL.

48, 73, 102

NOSE ASSEMBLY #48 MUST BE PLACED SQUARELY OVER SPINDLE #73, WHEN ASSEMBLING, TO PREVENT DAMAGE TO OIL SEAL #102.

14, 19, 20, 23

FASTENERS #14, #19, #20 AND #23 ARE TO BE RE-ASSEMBLED USING BLUE LOCTITE.



48, 102

LUBRICATE BORE IN NOSE ASSEMBLY #48 BEFORE PRESSING OIL SEAL #102 INTO PLACE.

61, 66

LUBRICATE O-RINGS #61 AND #66 WITH GREASE.

69

INSTALL BEVEL SNAP RING #69 WITH BEVEL SIDE UP.

4, 50, 80

PLACE BEARING CUP #80 ON SMALL ARMATURE BEARING #4 BEFORE INSTALLING MOTOR COVER #50.

41

BRUSH SPRINGS #41 ARE TO BE WOUND 1/2 TURN TO ENGAGE BRUSHES.

4

RUBBER SEAL SIDE OF BALL BEARING #4 TO FACE FAN.

95, 98

FACES OF PISTON #95 AND RAM #98 ARE TO BE FREE OF GREASE.