



SERVICE PARTS LIST

9" POLISHER

Catalog No. **5590**

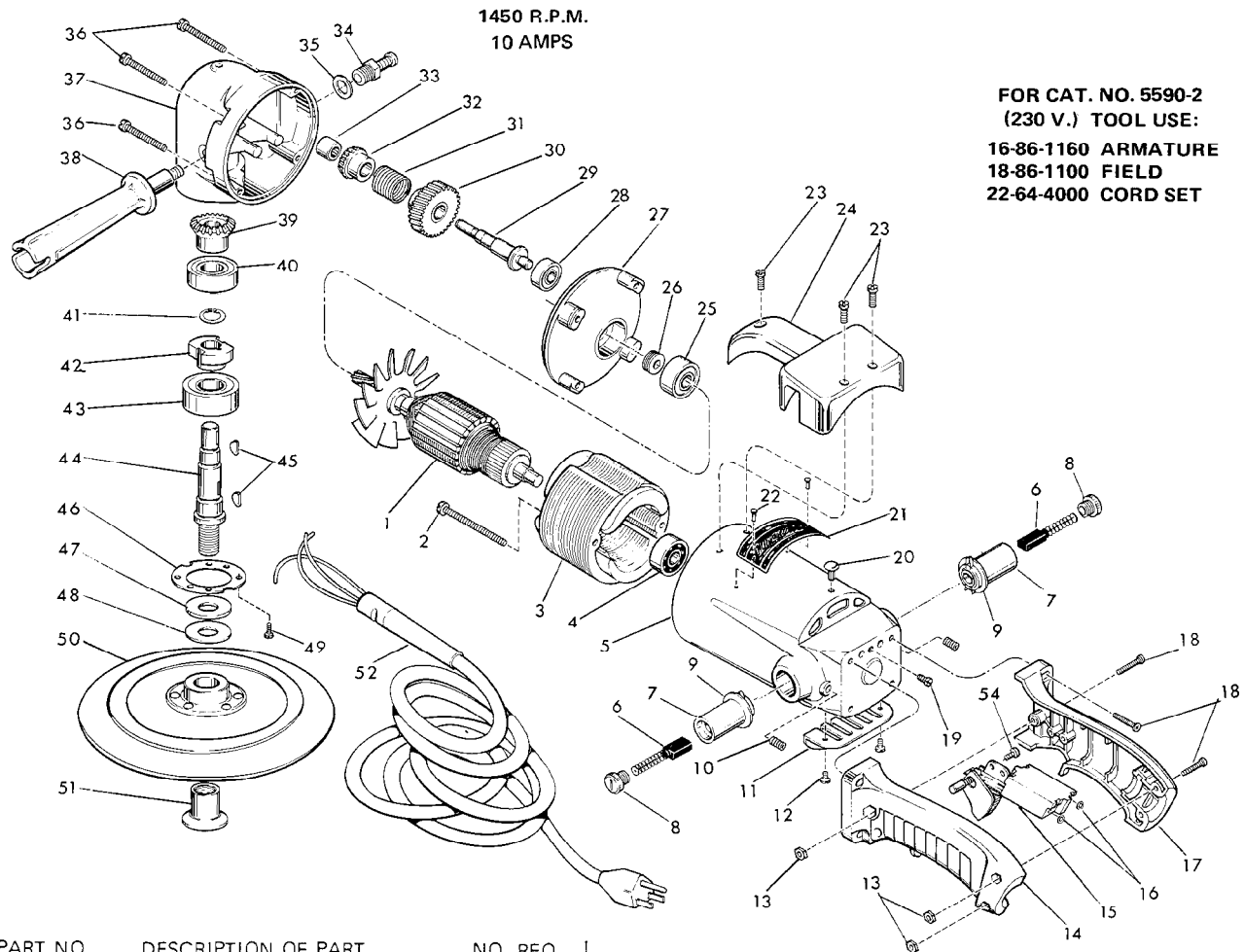
Starting Serial No. **47-14909**

Specify Catalog and Serial No. when ordering parts

BUL. 54-32-1219

REVISED BUL. 54-32-1218 DATE Nov. '82

WIRING INSTRUCTIONS **58-01-0305**



1450 R.P.M.
10 AMPS

FOR CAT. NO. 5590-2
(230 V.) TOOL USE:
16-86-1160 ARMATURE
18-86-1100 FIELD
22-64-4000 CORD SET

FIG.	PART NO.	DESCRIPTION OF PART	NO. REQ.	FIG.	PART NO.	DESCRIPTION OF PART	NO. REQ.
	1	120 Volt Armature	(1)		29	Intermediate Shaft	(1)
★	2	06-81-9201 10-24x2-1/2 Rd. Hd. Sem	(2)		30	Intermediate Gear	(1)
★	3	18-82-1115 120 Volt Field	(1)		31	Drive Spring	(1)
	4	02-04-1070 Ball Bearing	(1)		32	32-05-1022 Bevel Gear	(1)
★	5	28-50-5200 Motor Housing (Includes 45-30-0110 Slug)	(1)		33	02-50-2130 Needle Bearing	(1)
	6	22-18-0260 Carbon Brush	(2)		34	44-20-0060 Spindle Lock Assembly	(1)
	7	22-22-1291 Brush Holder	(2)		35	45-88-5320 Flat Washer	(1)
	8	23-44-0065 Brush Retaining Screw	(2)		36	06-81-7300 10-24x1-3/4 Fil. Hd. Sem	(4)
	9	23-86-0060 Insulating Washer	(2)		37	28-14-0610 Gear Case	(1)
★	10	06-83-2000 10-24x1/4 Set Screw	(2)		38	43-62-0570 Side Handle	(1)
★	11	44-66-0105 Vent Cover Plate	(1)		39	32-05-1001 Bevel Gear	(1)
	12	06-81-8650 6-32x1/4 Rd. Hd. Sem	(2)		40	02-04-1710 Ball Bearing	(1)
★	13	06-55-1000 10-24 Hex Nut	(3)		41	34-60-1290 Retaining Ring	(1)
★	14	31-44-0590 Handle Half Left	(1)		★42	42-74-0070 Spindle Lock Cog	(1)
★	15	23-66-0255 Switch (20 Amp)	(1)		★43	02-04-2065 Ball Bearing	(1)
	16	06-97-1800 Lockwasher	(4)		44	38-50-1751 Spindle	(1)
★	17	31-44-0580 Handle Half Right	(1)		45	06-42-1600 Woodruff Key	(2)
★	18	06-81-4207 10-24x7/8 Phillips Pan Hd. Screw	(7)		46	45-88-0220 Spindle Retaining Washer	(1)
★	19	06-81-9125 10-24x1/4 Ground Screw	(1)		47	45-88-0141 Hub Thrust Washer	(1)
	20	06-77-1350 14x1/4 Driv-In Screw	(1)		48	45-88-0160 Spindle Rubber Washer	(1)
	21	12-99-0032 Nameplate Blank	(1)		49	06-81-6050 8-32x5/16 Fil. Hd. Sem	(6)
	22	06-85-0200 Nameplate Screw	(2)		50	49-36-2200 Polisher Backing Pad	(1)
	23	06-81-6950 10-24x1/2 Fil. Hd. Sem	(1)		★51	49-40-0390 Disc Nut	(1)
	24	31-70-0100 Tool Rest	(1)		★52	22-64-0080 Cord Set	(1)
	25	02-04-1140 Ball Bearing	(1)		★53	12-98-7082 Caution Plate (Not Shown)	(1)
	26	45-28-0050 Grease Slinger	(1)		★54	06-95-0215 8-18x1/2 Pan Hd. Thread Form Screw	(1)
	27	28-28-0381 Diaphragm	(1)				
	28	02-04-0910 Ball Bearing	(1)				

MILWAUKEE ELECTRIC TOOL CORP.

13135 West Lisbon Road • Brookfield, Wisconsin 53005