



SERVICE PARTS LIST

ELECTRONICALLY CONTROLLED JIG SAW

Catalog No. **6280**

Starting Serial No. **334-5182**

Specify Catalog and Serial No. when ordering parts

BUL. 54-40-3103

REVISED BUL.
54-40-3102

DATE
Mar. '74

WIRING INSTRUCTIONS
58-01-0550

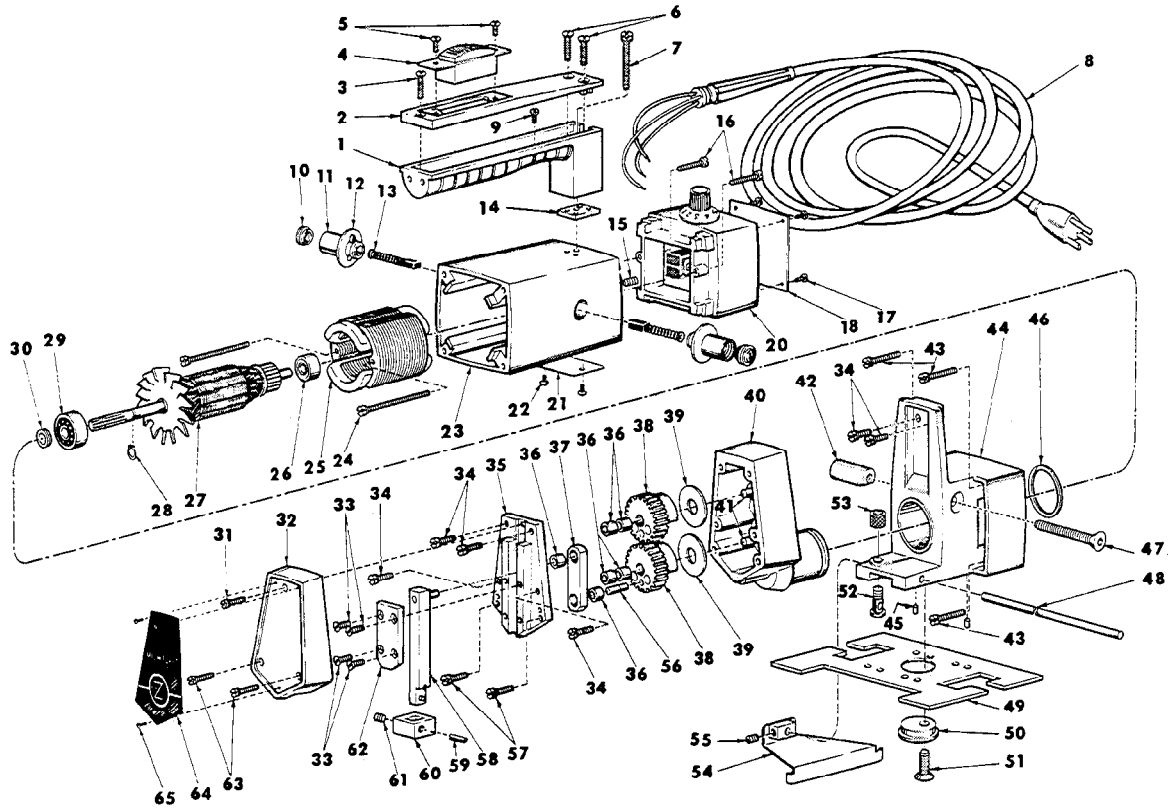


FIG.	PART NO.	DESCRIPTION OF PART	NO. REQ.
1	28-44-9261	Switch Handle	1
2	28-20-3521	Switch Handle Cover	1
3	06-81-3500	6-32x5/8 Oval Hd. Screw	1
4	23-66-0310	Switch	1
5	06-81-8650	6-32x1/4 Round Hd. Sem	2
6	06-81-3650	8-32x3/4 Oval Hd. Screw	2
7	06-81-6550	8-32x1-1/2 Fil. Hd. Sem	1
8	22-64-0220	Cord Set	1
9	06-81-8625	6-32x1/4 Ground Screw	1
10	23-44-0020	Brush Retaining Screw	2
11	22-22-0050	Brush Holder Assy.	2
★12	23-86-0105	Insulating Washer	2
★13	22-18-0155	Carbon Brush	2
14	45-36-0250	Handle Spacer	1
★15	06-83-2430	10-32x1/4 Hdls. Skt. Screw	2
16	06-81-0675	6-32x7/8 Fil. Hd. Screw	2
17	06-85-0050	4x1/4 Pan Hd. Type B Screw	4
18	-	Nameplate	1
20	14-38-0290	Speed Control Housing Assembly	1
21	12-98-5000	Nameplate	1
★22	06-81-8200	4-36x3/16 Rd. Hd. Sem	2
23	28-50-4981	Motor Housing	1
24	06-81-5950	6-32x1-7/8 Fil. Hd. Sem	2
★25	18-22-1121	115 Volt Reversing Field	1
26	02-04-0740	Ball Bearing	1
27	16-22-1190	115 Volt Armature (Includes Fig. 28)	1
28	34-60-0550	Retaining Ring	1
29	02-04-0940	Ball Bearing	1
30	45-28-0090	Grease Slinger	1
31	06-81-5825	6-32x1/2 Fil. Hd. Sem	1
32	28-20-1061	Gear Case Cover	1
33	06-81-8050	8-32x3/8 Flat Hd. Sem	4
34	06-81-6100	8-32x7/16 Fil. Hd. Sem	6
35	42-24-0181	Spindle Bearing Plate	1

FIG.	PART NO.	DESCRIPTION OF PART	NO. REQ.
36	02-50-1200	Needle Bearing	6
37	44-94-0131	Connecting Rod	1
38	32-48-1001	Mechanism Gear	2
39	45-88-0380	Thrust Washer	2
40	14-30-0220	Gear Case Assy. (Includes Fig. 41)	1
41	44-60-0260	Mechanism Pin	2
42	44-68-0100	Locking Plug	1
43	06-81-6300	8-32x7/8 Fil. Hd. Sem	4
44	14-13-0100	Diaphragm Assy. (Includes Fig. 45)	1
45	06-65-0630	3/16x1/2 Drivlok Pin	2
46	34-60-2125	Retaining Ring	1
47	06-81-3125	5/16-18x1-3/4 Skt. Flat Hd. Screw	1
48	44-94-0080	Rip Guide Rod	1
49	45-16-0231	Saw Shoe	1
50	45-88-0370	Shoe Adjusting Washer	1
51	06-81-3075	5/16-18x3/4 Skt. Flat Hd. Screw	1
52	45-58-0120	Locking Stud	1
53	44-40-0210	Locking Nut	1
54	44-66-0300	Plate Assembly	1
55	06-75-1985	8-32x5/16 Skt. Screw	1
56	44-60-0250	Connecting Rod Pin	1
57	06-81-6400	8-32x1-1/8 Fil. Hd. Sem	2
★58	38-50-4963	Spindle Assy. (Incl Figs. 59 thru 61)	1
★59	06-65-0900	5/32 x 9/16 Roll Pin	1
★60	42-68-0195	Blade Clamp	1
61	06-83-2430	10-32x1/4 Hdls. Skt. Screw	1
62	42-92-0151	Bearing Plate Cover	1
63	06-81-5850	6-32x5/8 Fil. Hd. Sem	2
64	12-75-1900	Nameplate	1
★65	06-81-4300	3-48x3/16 Round Hd. Screw (or)	3
	06-81-8200	4-36 x 3/16 Rd. Hd. Sem	3
NOT SHOWN			
	48-66-4080	Key Holder	
	49-96-0050	3/32 Socket Wrench	
	49-96-0080	3/16 Socket Wrench	
	49-96-0060	1/8 Socket Wrench	
★12-98-7081		Caution Plate	