



SERVICE PARTS LIST

BUL. 54-42-4254

SCREWDRIVER

REVISED BUL
54-42-4253

DATE
June '71

Catalog No. 6640-1

Starting
Serial No. **123-2801**

WIRING INSTR.
58-01-0211

Both Model and Serial No. must be furnished to obtain correct parts.

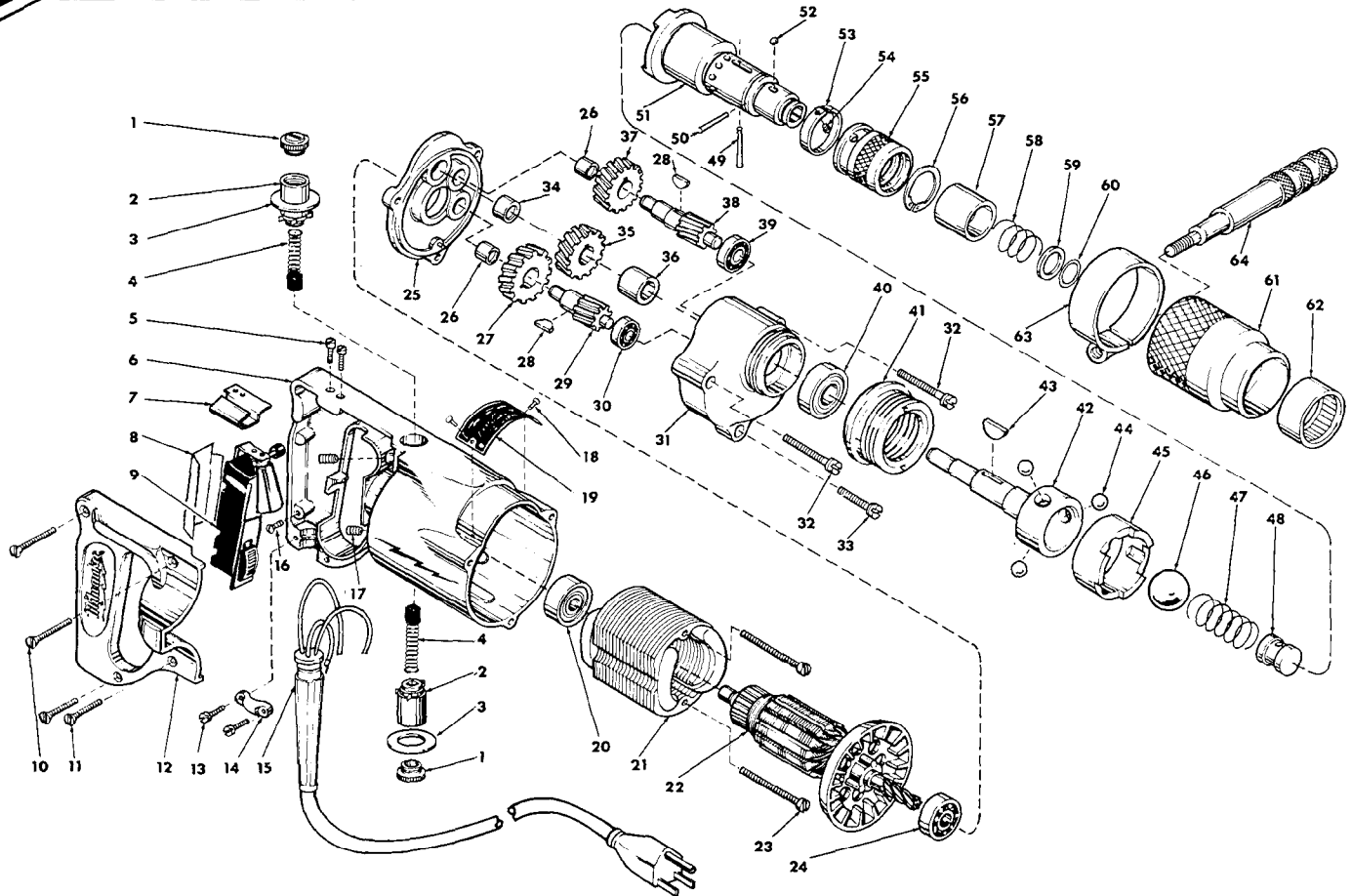


FIG.	PART NO.	DESCRIPTION OF PART	NO.REQ.	FIG.	PART NO.	DESCRIPTION OF PART	NO.REQ.
1	23-44-0060	Brush Retaining Screw	(2)	33	06-81-6350	8-32x1 Fil.Hd. Sem	
2	22-22-0080	Brush Holder	(2)	34	02-50-2110	Needle Bearing	
3	23-86-0110	Washer	(2)	35	32-75-2061	Spindle Gear	
4	22-18-0100	Carbon Brush	(2)	36	45-36-0210	Spindle Gear Spacer	
5	06-81-5800	6-32x5/16 Fil.Hd. Sem	(2)	37	32-75-2041	Spindle Gear	
6	28-50-4488	Motor Housing (Includes Fig. Nos. 10-11 and 12)		38	36-66-4001	Intermediate Shaft	
7	42-68-0225	Wire Clamp		39	02-04-0820	Ball Bearing	
★ 8	23-16-0660	Switch Insulator		40	02-04-1560	Ball Bearing	
★ 9	23-66-0487	Reversing Switch		41	42-52-0080	Adaptor Cap	
10	06-81-3750	8-32x1 Oval Hd. Screw	(2)	42	38-50-3501	Spindle	
11	06-81-3700	8-32x7/8 Oval Hd. Screw	(2)	43	06-42-1600	Woodruff Key	
12	28-20-3601	Handle Cover		44	02-02-0340	11/32 Dia. Steel Ball	(3)
13	06-81-6150	8-32x1/2 Fil.Hd. Sem	(2)	45	42-76-0110	Clutch Collar	
14	28-17-0400	Clamp Strap		46	02-02-1000	Steel Ball	
15	22-64-0380	Cord Set		47	40-50-2500	Torque Limiting Spring (Light)	
16	06-81-8625	6-32x1/4 Ground Screw		48	45-24-0050	Torque Limiting Spring (Heavy)	
17	06-83-2650	1/4-20x3/8 Knrl. Set Screw	(2)	49	06-65-0850	Slide	
★ 18	06-85-0200	6x1/4 Rd. Hd. Type Z Screw	(2)	50	06-65-0855	1/8x7/8 Groove Pin No. 2	
19	12-98-0800	Nameplate		51	42-66-0270	1/8x7/8 Groove Pin No. 3	
20	02-04-0970	Ball Bearing		52	02-02-0180	Chuck	
21	18-42-1141	115 Volt Rev. Field		53	44-90-0140	3/16 Dia. Steel Ball	
22	16-42-1210	115 Volt Armature		54	44-90-0140	Adjusting Collar Ring	
23	06-81-6600	8-32x1-3/4 Fil.Hd. Sem	(2)	55	44-68-0060	Bit Retainer Plug	
24	02-04-0940	Ball Bearing		56	42-76-0120	Adjusting Collar	
25	28-28-0661	Diaphragm		57	34-60-2000	Retaining Ring	
26	02-50-1640	Needle Bearing	(2)	58	42-76-0090	Bit Retaining Collar	
27	32-40-1241	Intermediate Gear		59	40-50-1000	Collar Stop Spring	
28	06-42-0800	Woodruff Key	(2)	60	45-88-0070	Collar Stop Washer	
29	36-66-2801	Intermediate Shaft		61	34-60-1300	Retaining Ring	
30	02-04-0640	Ball Bearing		62	45-22-0140	Sleeve	
31	28-14-1261	Gear Case		63	02-50-8820	Needle Bearing	
32	06-81-6650	8-32x1-3/4 Fil.Hd. Sem	(2)	64	44-90-0160	Handle Ring Assembly	
						Side Handle	

MILWAUKEE ELECTRIC TOOL CORP.

13135 West Lisbon Road • Brookfield, Wisconsin 53005