



# SERVICE PARTS LIST

## DRYWALL SCREWDRIVER

Catalog No. **6747-1**

Starting Serial No. **453-76500**

Specify Catalog and Serial No. when ordering parts

**BUL. 54-42-5153**

REVISED BUL.  
54-42-5152

DATE  
May '78

WIRING INSTRUCTIONS  
**58-01-0647**

2500 R.P.M.  
4.5 AMPS

FOR CAT. NO. 6747-3 (240V) TOOL USE:  
22-64-4200 CORD SET  
22-18-0375 CARBON BRUSH  
18-16-0015 FIELD  
16-16-0400 ARMATURE

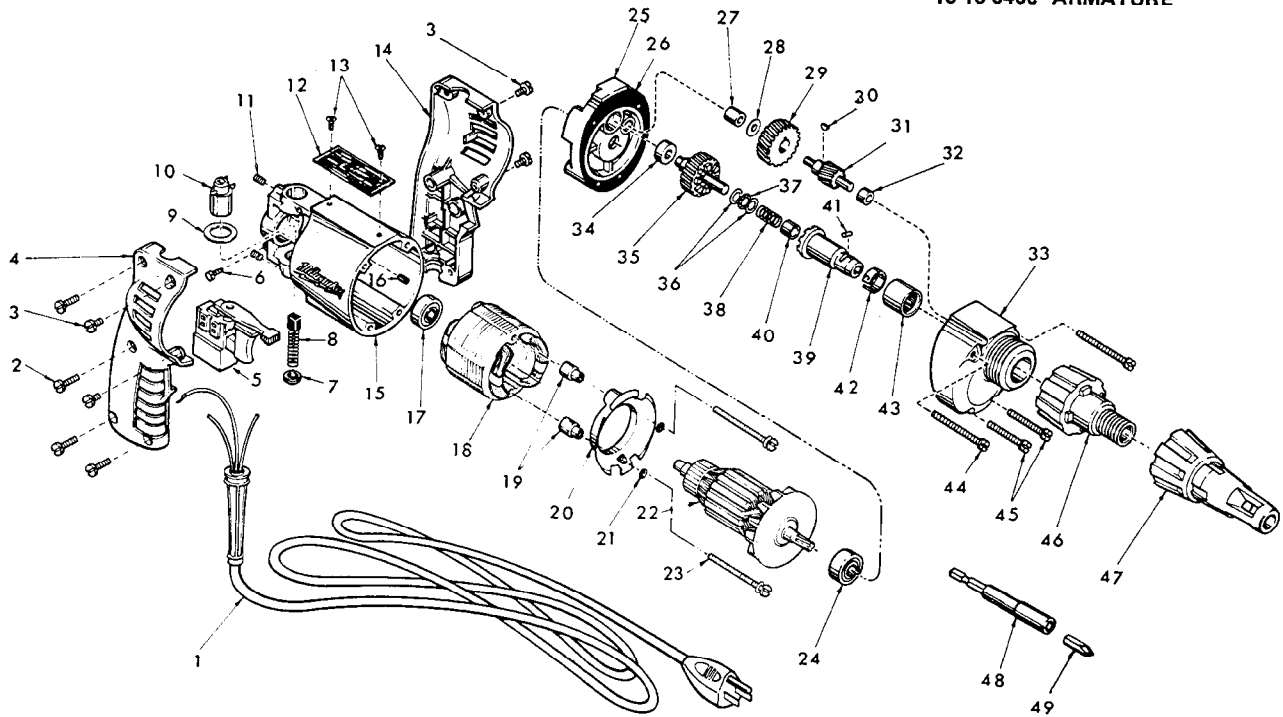


FIG.	PART NO.	DESCRIPTION OF PART	NO. REQ.	FIG.	PART NO.	DESCRIPTION OF PART	NO. REQ.
1	22-64-0665	Cord Set	(1)	★ 26	43-44-0280	Gasket	(1)
2	06-81-0400	8-32x3/4 Pan Head Screw	(4)	27	02-50-1210	Needle Bearing	(1)
3	06-81-0450	8-32x3/8 Pan Head Screw	(4)	28	45-88-7280	Nylon Thrust Washer	(1)
4	31-44-0610	R.H. Handle Half	(1)	29	32-40-1611	Intermediate Gear	(1)
5	23-66-0816	Double Pole Rev. Switch	(1)	30	06-42-0400	Woodruff Key	(1)
6	06-81-8625	6-32x1/4 Ground Screw	(1)	31	36-66-4100	Intermediate Pinion Shaft	(1)
7	23-44-0020	Brush Retaining Screw	(2)	32	02-50-1635	Needle Bearing	(1)
8	22-18-0362	Carbon Brush	(2)	33	28-14-1210	Gear Case (Includes 06-65-0825 Groove Pin)	(1)
9	23-86-0105	Washer	(2)	34	02-08-0210	Ball Bearing	(1)
10	22-22-1251	Brush Holder Assy.	(2)	35	32-10-2500	Clutch Gear	(1)
11	06-83-2430	10-32x1/4 Hcls. Skt. Screw	(2)	36	45-88-0550	Thrust Washer	(2)
12	12-99-0021	Nameplate	(1)	37	02-80-0100	Thrust Bearing	(1)
13	06-85-0200	6x1/4 Round Hd. Type Z Screw	(2)	38	40-50-6600	Separator Spring	(1)
14	31-44-0620	L.H. Handle Half	(1)	39	42-66-0751	Drive Chuck (Includes Figs. 40 thru 42)	(1)
15	28-50-6091	Motor Housing (Includes Fig. 16)	(1)	40	02-50-1610	Needle Bearing	(1)
16	45-30-0120	Ball Bearing Retaining Slug	(1)	41	02-55-0150	Loose Roller Bearing	(1)
17	02-04-0740	Ball Bearing	(1)	42	40-50-1450	Bit Retaining Spring	(1)
★ 18	18-10-0025	120 V. Field	(1)	43	02-50-4050	Needle Bearing	(1)
★ 19	45-36-0601	Baffle Spacer	(2)	44	06-81-6740	8-32x2 Fil. Hd. Sem	(2)
★ 20	31-05-0010	Baffle	(1)	45	06-81-6550	8-32x1-1/2 Fil. Hd. Sem	(2)
★ 21	45-88-7170	Washer	(2)	46	48-32-2500	Bit Housing	(1)
22	16-10-0400	120 V. Armature	(1)	47	49-26-1000	Drywall Locator	(1)
★ 23	06-81-8695	6-32x2-7/16 Fil. Hd. Sems	(2)	48	48-32-3025	1/4 Hex Magnetic Bit Holder	(1)
24	02-04-0880	Ball Bearing	(1)	49	48-32-1050	1/4 Hex No. 2 Phillips Insert Bit	(1)
25	28-28-1451	Diaphragm	(1)	50	12-98-7081	Caution Plate (Not Shown)	(1)