



SERVICE PARTS LIST

SPECIAL PURPOSE SCREWDRIVER

Catalog No. **6781-1**

Starting Serial No. **399-4203**

BUL.54-42-5202

REVISED BUL 54-42-5201 DATE June '71

WIRING INSTR. **58-01-0640**

Both Model and Serial No. must be furnished to obtain correct parts.

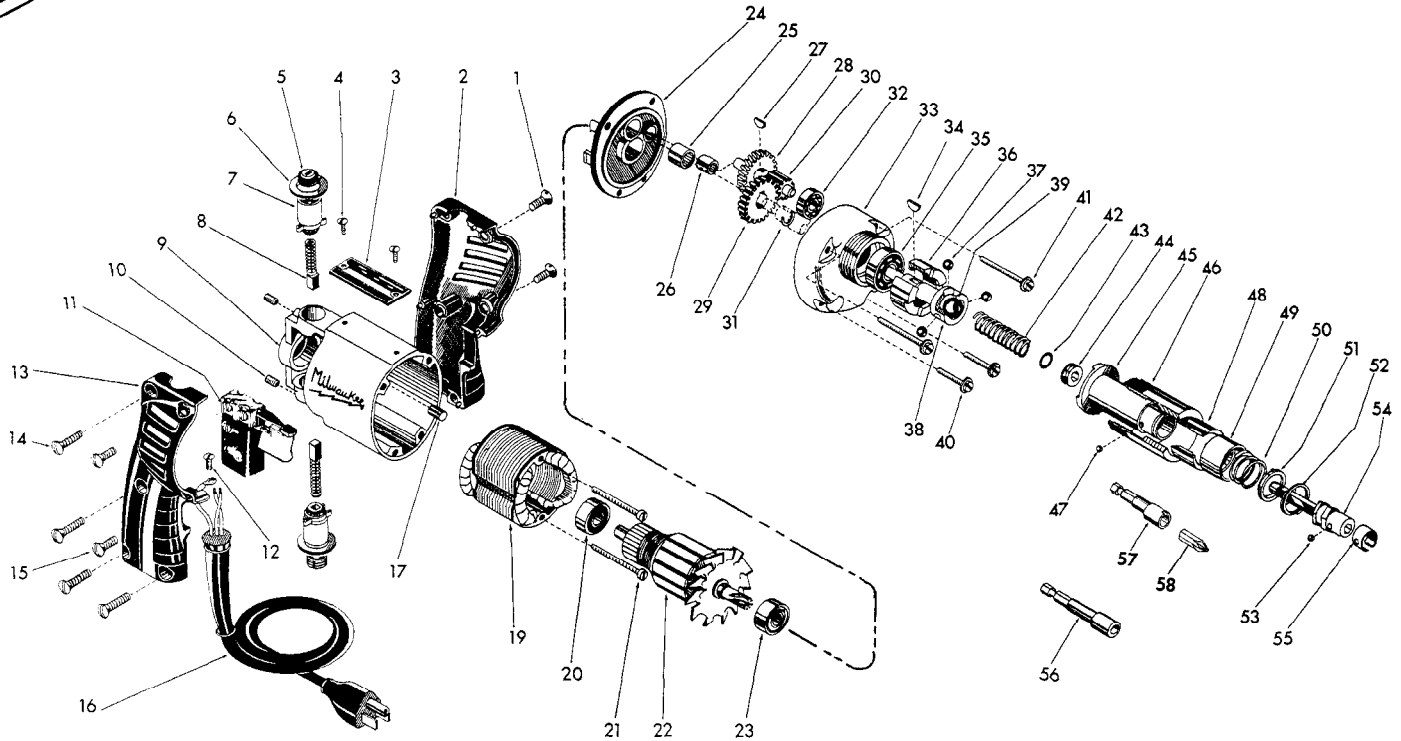


FIG.	PART NO.	DESCRIPTION OF PART	NO. REQ.	FIG.	PART NO.	DESCRIPTION OF PART	NO. REQ.
1	06-81-0450	8-32x3/8 Pan. Hd. Handle Mtg. Screw	(2)	34	06-42-0800	Woodruff Key	
★2	31-44-0260	L. H. Handle Half		35	02-04-1020	Ball Bearing	
3	12-98-0600	Name Plate		36	42-76-0171	Clutch Collar	
★4	06-85-0200	Name Plate Screws	(2)	37	02-02-0280	9/32 Dia. Driving Balls	(3)
5	23-44-0020	Brush Retaining Cap	(2)	38	38-50-4981	Spindle	
6	23-86-0070	Insulating Washer	(2)	39	02-02-0560	9/16 Dia. Master Ball	
7	22-22-0251	Brush Holder Assembly (incl. fig. 6)	(2)	40	06-81-6300	8-32x7/8 Fil. Hd. Sem Gear Case Scr.	(2)
8	22-18-0360	Carbon Brush Assembly	(2)	41	06-81-6550	8-32x1-1/2 Fil. Hd. Sem Gear Case Scr.	(2)
9	28-50-6091	Motor Housing		42	40-50-7650	Torque Limiting Spring	
★10	06-83-2430	10-32x1/4 Brush Hldr, Soc. Hd. Set Scr.	(2)	43	34-60-0540	Retaining Ring	
★11	23-66-0810	Reversing Switch		44	45-04-0370	Adjusting Screw	
12	06-81-8625	6-32x1/4 Ground Screw		45	43-12-0091	Chuck Driver	
★13	31-44-0250	R. H. Handle Half		46	45-22-0270	Sleeve	
14	06-81-0400	8-32x3/4 Pan. Hd. Handle Mtg. Scr.	(4)	47	02-02-0120	1/8 Dia. Chuck Retaining Ball	
15	06-81-0450	8-32x3/8 Pan. Hd. Handle Mtg. Scr.	(2)	48	02-50-5600	Needle Bearing	
★16	22-64-0660	Cord Set		49	44-86-0171	Chuck Retainer	
17	45-30-0120	Ball Bearing Ret. Slug		50	40-50-1000	Collar Stop Spring	
★19	18-22-1160	Field Assembly		51	45-88-7081	Spring Retaining Washer	
20	02-04-0740	Ball Bearing		52	34-60-1550	Retaining Ring	
21	06-81-5950	6-32x1-7/8 Fil. Hd. Field Screws	(2)	53	02-02-0150	Bit Retaining Ball	
22	16-22-1251	Armature Assembly		54	42-66-0441	Chuck	
23	02-04-0880	Ball Bearing		55	40-50-1400	Bit Retaining Spring	
24	28-28-0221	Diaphragm		56	49-66-3005	1/4 Socket & Ext.	
25	02-50-1640	Needle Bearing			49-66-3015	5/16 Socket & Ext.	
26	02-50-1210	Needle Bearing			49-66-3025	3/8 Socket & Ext.	
27	06-42-0400	Woodruff Key		57	48-32-3050	Insert Bit Holder	
28	32-40-1041	Intermediate Gear		58	48-32-1050	No. 2 Insert Bit	
29	32-75-2691	Spindle Gear			48-32-1070	No. 3 Insert Bit	
30	36-66-4061	Intermediate Pinion Shaft		59	06-97-1700	Switch Lock Washer (not shown)	(6)
31	34-60-0600	Spindle Snap Ring					
32	02-04-0640	Ball Bearing					
33	28-14-0361	Gear Case					