



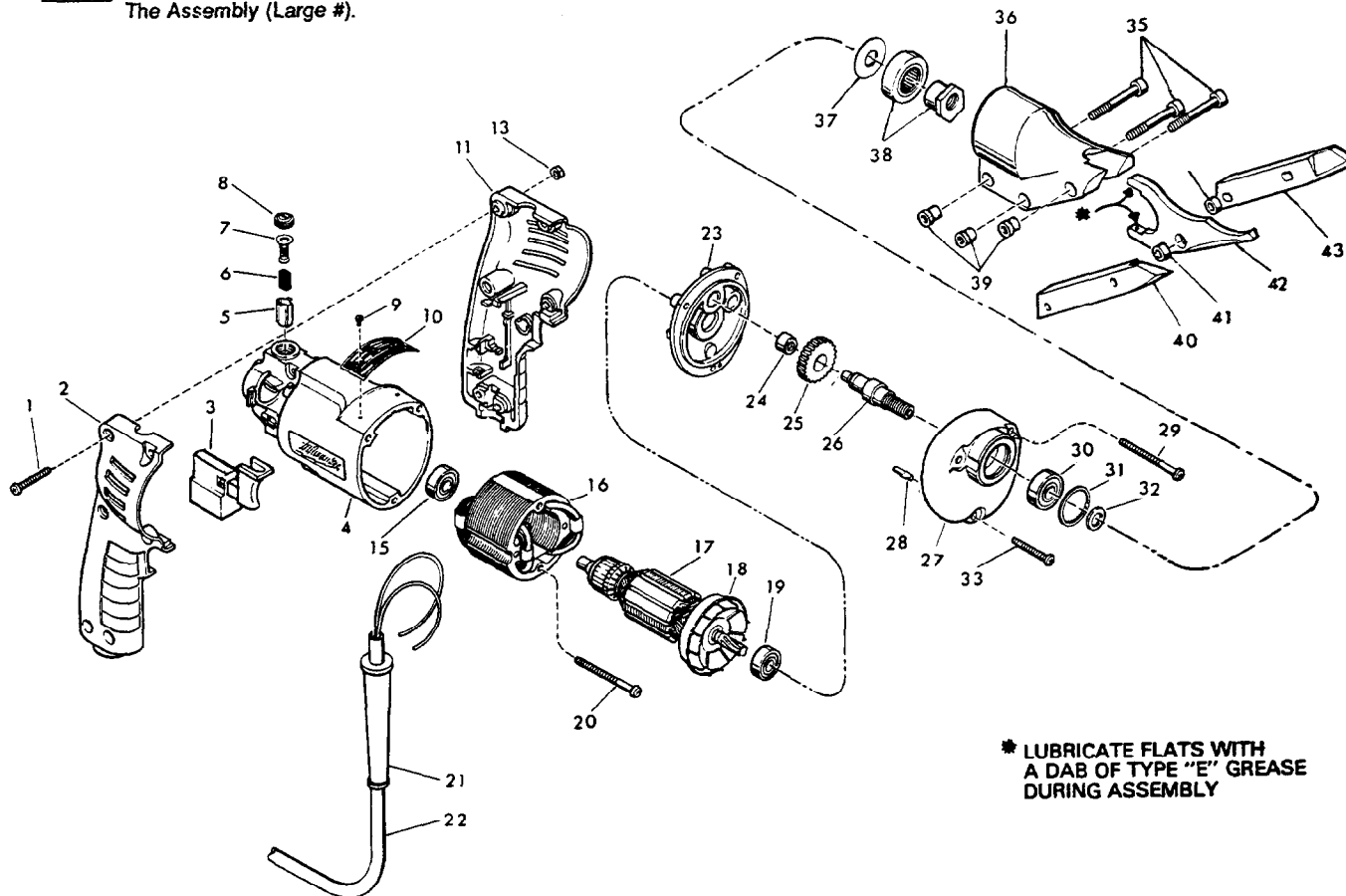
SERVICE PARTS LIST

BULLETIN NO.
55-44-0503

SPECIFY CATALOG NO. AND SERIAL NO. WHEN ORDERING PARTS		REVISED BULLETIN	DATE
18 GAUGE SWIVEL HEAD SHEAR			May '91
CATALOG NO. 6850-2	STARTING SERIAL NO. 550-1001	WIRING INSTRUCTION	
		58-01-0017	

EXAMPLE:
Component Parts (Small #)
Are included When Ordering
The Assembly (Large #).

00 0



* LUBRICATE FLATS WITH
A DAB OF TYPE "E" GREASE
DURING ASSEMBLY

FIG.	PART NO.	DESCRIPTION OF PART	NO. REQ.
1	06-82-2361	8-32 x 15/16" Pan Hd. St. Plas. T-20	(6)
2	31-44-1130	Right Handle Half	(1)
3	23-66-0515	Speed Control Switch	(1)
4	31-50-0346	Motor Housing	(1)
5	22-20-0530	Brush Tube	(2)
6	22-16-0375	Carbon Brush	(2)
7	23-52-0210	Brush Spring Assembly	(2)
8	23-44-0120	Brush Retaining Screw	(2)
9	06-85-0200	Nameplate Screw	(2)
10	12-99-0570	Nameplate Blank	(1)
11	31-44-1140	Left Handle Half	(1)
13	06-55-0835	8-32 Hex Nut	(1)
15	02-04-0645	Ball Bearing	(1)
16	18-16-0060	240 V Field	(1)
17	16-16-0440	240 V D.I. Armature- (Incl. Fig. No. 18)	(1)
18	22-84-0760	Fan Assembly	(1)
19	02-04-0847	Ball Bearing	(1)
20	06-82-7368	7-18 X 1-3/4" Pan Hd. St. Plast. T-20	(2)
21	44-76-0210	Cord Protector	(1)
22	22-64-4480	Cord Set	(1)
23	28-28-1780	Diaphragm	(1)
24	02-50-1620	Needle Bearing	(1)
25	32-75-3260	Spindle Gear	(1)
26	38-50-5671	Reversing Spindle	(1)

FIG.	PART NO.	DESCRIPTION OF PART	NO. REQ.
27	28-14-1830	Gear Case	(1)
28	06-65-0825	1/8 x 1/2" Groove Pin 5	(1)
29	06-82-7344	7-18 x 1-1/2" Pan Hd. St. Plast. T-20	(2)
30	02-04-1020	Ball Bearing	(1)
31	34-80-1400	Retaining Ring	(1)
32	45-88-7940	Washer	(1)
33	06-82-7308	7 x 1-1/8" Pan Hd. St. Plast. T-20	(1)
34	48-08-0500	Shear Head Assy. (Includes Fig. Nos. 35 thru 44)	(1)
35	06-75-2115	10-24 x 1-1/4 Skt. Hd. Cap Screw	(3)
36	43-75-0400	Shear Housing	(1)
37	45-88-7310	Washer	(1)
38	43-16-0100	Eccentric Assembly	(1)
39	43-84-0460	Knurled Insert	(3)
40	48-44-0170	Blade - Right Side	(1)
41	42-40-0520	Bushing	(2)
42	48-44-0150	Blade - Center	(1)
43	48-44-0160	Blade - Left Side	(1)
44	49-96-0070	5/32 Hex Allen Wrench (Not Shown)	(1)

FIG. LUBRICATION:
27 1-1/8 Oz. Type "E" Grease, No. 49-08-4121.

MILWAUKEE ELECTRIC TOOL CORPORATION
13135 W. LISBON RD., BROOKFIELD, WI 53005