



SERVICE PARTS LIST

BULLETIN NO.
54-26-1551

SPECIFY CATALOG NO. AND SERIAL NO. WHEN ORDERING PARTS		REVISED BULLETIN 54-26-1550	DATE Jan. '86
1/2" IMPACT WRENCH			
CATALOG NO. 9065	STARTING SERIAL NO. 656-7000	WIRING INSTRUCTION 58-01-0528	
CAT. NO. 9065-6	START SER. NO. 656-1001	BILINGUAL LABEL 10-98-6430	

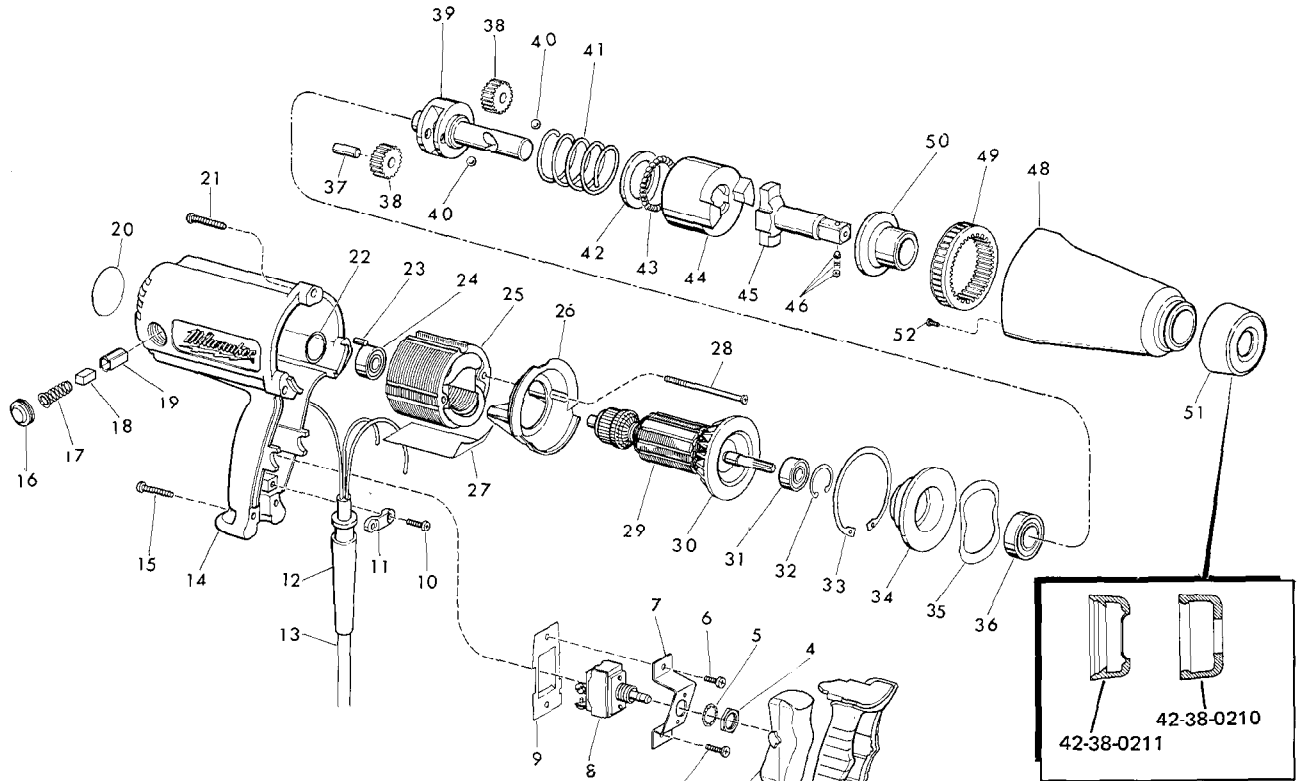


FIG.	PART NO.	DESCRIPTION OF PART	NO. REQ.
1	31-44-1270	Handle Half	(1)
2	31-92-0240	Trigger	(1)
3	06-95-0216	8-16 x 5/8" Lg. Plastite Screw	(1)
4	—	Supplied with Switch	(1)
5	—	Supplied with Switch	(1)
6	06-95-3260	8-16 x 3/8" Lg. Pan Hd. Plastite Screw	(1)
7	42-36-1460	Switch Bracket	(1)
8	23-66-1310	Switch	(1)
9	23-16-1350	Switch Insulator	(1)
10	06-95-0216	8-16 x 5/8" Lg. Plastite Screw	(2)
11	31-17-0155	Cord Clamp	(1)
12	44-76-0120	Cord Protector	(1)
13	22-64-0155	Cord Set	(1)
14	31-50-0186	Motor Housing	(1)
15	06-95-0219	8-16 x 7/8" Lg. Plastite Screw	(2)
16	23-44-0125	Brush Retaining Screw	(2)
17	23-52-0220	Brush Spring Assembly	(2)
18	22-16-0300	Carbon Brush	(2)
19	22-20-0530	Brush Tube	(2)
20	12-99-0176	Service Nameplate	(1)
	12-90-0196	Service Nameplate - Canada	
21	06-95-0232	8-32 x 1" Lg. Pan Hd. Taptite Screw	(3)
22	34-40-1125	O-Ring	(1)
★ 23	45-30-0070	Ball Bearing Retaining Slug	(1)
24	02-04-0845	Ball Bearing (Seal Toward Armature)	(1)
25	18-10-0080	120V. Field	(1)
26	42-14-0270	Baffle	(1)
27	23-16-1390	Paper Barrier	(1)
28	06-95-2200	7-18 x 2" Fil. Hd. Plastite Screw (See Note)	(2)
29	16-10-0430	120V. Armature (Incl. Fig. No. 30)	(1)
30	22-84-0650	Fan Assembly	(1)
31	02-04-0845	Ball Bearing (Seal Toward Armature)	(1)
32	34-80-0200	Internal Retaining Ring	(1)
33	34-80-0250	Internal Retaining Ring	(1)
34	28-72-6510	Bearing Plate	(1)
35	40-50-7950	Wave Spring	(1)

FIG.	PART NO.	DESCRIPTION OF PART	NO. REQ.
36	02-04-1515	Ball Bearing	(1)
37	44-96-0100	Roller	(2)
★ 38	32-62-0055	Planet Gear (Grease Bore Before Installing)	(2)
39	30-15-0261	Cam	(1)
40	02-02-0250	1/4" Steel Ball	(2)
41	40-50-4915	Hammer Spring	(1)
42	45-88-0385	Thrust Washer	(1)
43	02-02-0150	5/32" Steel Ball	(26)
44	44-82-0120	Ram	(1)
45	42-06-0125	Anvil Assembly (Incl. Fig. No. 46)	(1)
46	44-60-0775	Detent Assy. (Spring, Pin & Plug)	(1)
★ 47	14-38-0411	Front Housing Assy. (Incl. Fig. Nos. 48 Thru 51)	(1)
48	—	Front Housing	(1)
49	—	Ring Gear	(1)
50	—	Bushing	(1)
★ 51	42-38-0211	Boot (Shown)	(1)
	42-38-0210	Bumper (Refer to Insert for Proper Selection)	
52	06-81-5477	6-32 x 3/8" Lg. Ground Screw	(1)
53	06-97-1800	Switch Terminal Lockwasher (Not Shown)	(4)
54	12-98-7260	Caution Label (Not Shown)	(1)

FIG. NOTES

28 Torque To 14-17 In. Lbs.

LUBRICATION - 1 Oz. of Type "A" Grease