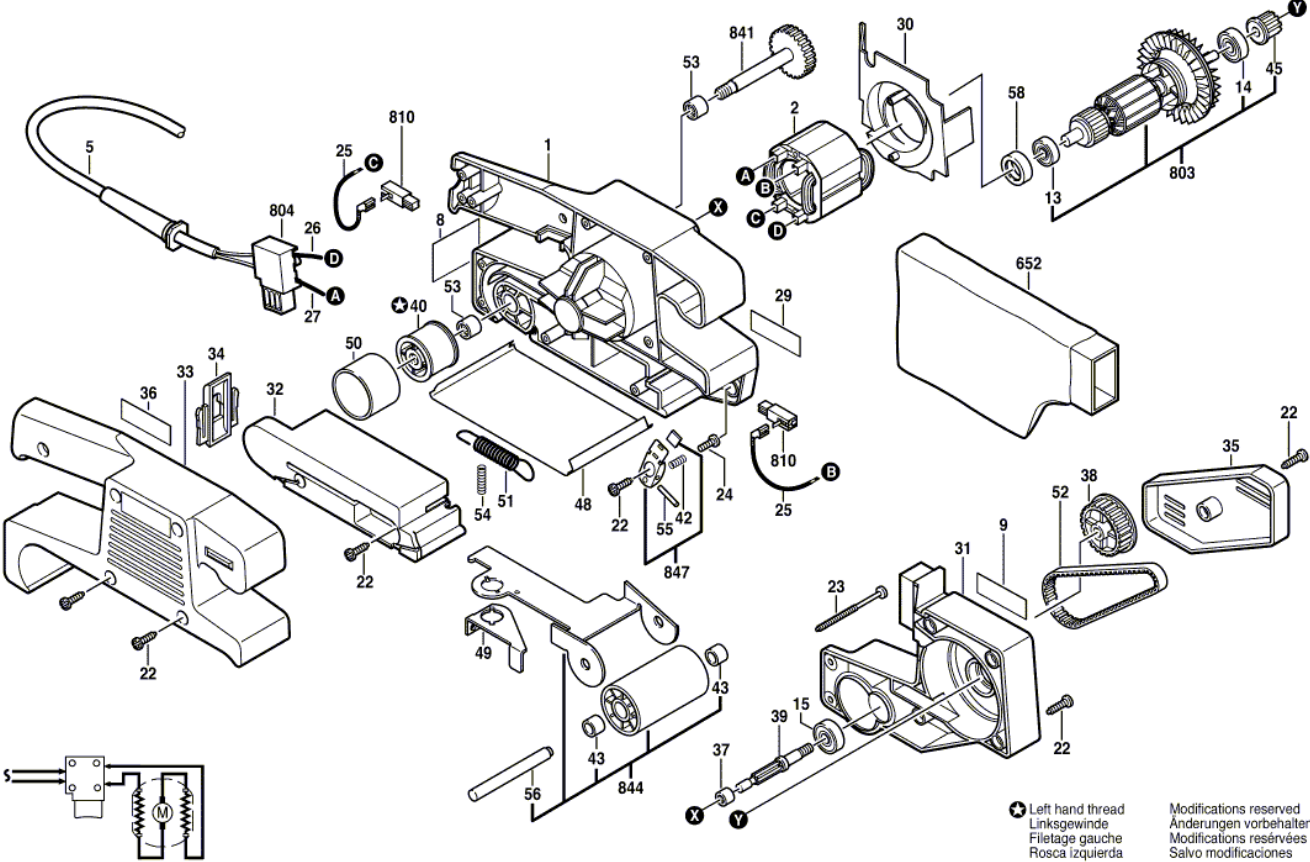


F012 731 301
 Issue | 00-11-10
 Stand | **Fig./Abb. 1**



Pos.	Part Number	Description	Pos.	Part Number	Description
1	2 610 909 580	Motor Housing			
2	2 610 352 364	Pole Shoe			
5	2 610 354 068	Power supply cord			
8	2 610 998 885	Nameplate			
9	2 610 911 627	Reference Plate			
13	2 610 996 216	Deep-Groove Ball Bearing			
14	1 619 P01 511	Deep-Groove Ball Bearing			
15	2 610 305 670	Ball Bearing			
22	1 619 X00 504	Screw			
23	2 610 352 374	Headless Screw			
24	2 610 367 556	Screw			
25	2 610 038 615	Connecting Cable			
26	2 610 039 850	Connecting Cable			
27	2 610 039 851	Connecting Cable			
29	2 610 347 244	Manufacturer's nameplate			
30	2 610 919 663	Air Guide Plate			
31	2 610 909 578	Bearing cover			
32	2 610 909 579	Base Support			
33	2 610 909 581	Cover			
34	2 610 390 788	Plate			
35	2 610 909 583	Cover			
36	2 610 911 626	Nameplate			
37	2 610 348 609	Needle-Roller Bearing			
38	2 610 354 001	Pulley			
39	2 610 354 011	Jack Shaft			
40	2 610 354 016	Roller			
42	2 610 361 473	Spring			
43	2 610 361 694	Bearing			
45	2 610 386 472	Pulley			
48	2 610 907 974	Plate			
49	2 610 907 638	Lever			
50	2 610 372 780	Ring			
51	2 610 372 781	Spring			
52	2 610 372 783	Drive Belt			
53	2 610 372 789	Bearing			
54	2 610 373 415	Spring			
55	2 610 374 649	Dowel pin			
56	2 610 913 863	Shaft			
58	2 610 373 997	Bushing			
652	2 610 373 400	Dust Bag			
803	2 610 996 246	Armature			
804	2 610 353 949	On-Off Switch			
810	2 610 967 197	Carbon-Brush Set			
841	2 610 354 747	Spindle With Gear			
844	2 610 906 137	Roller			
847	2 610 918 936	Calibration Arm			