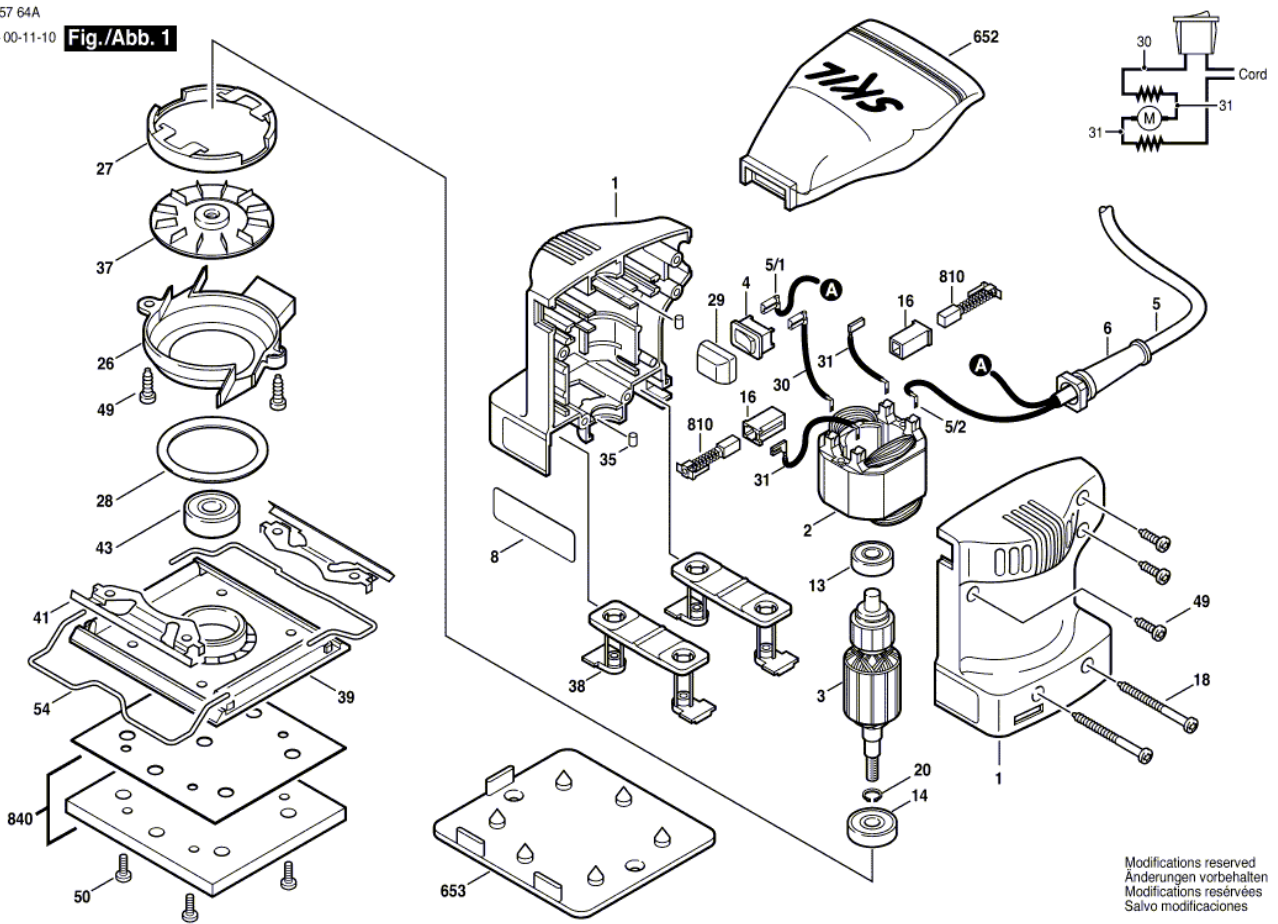


F012 757 64A  
 Issue | 00-11-10  
 Stand |

**Fig./Abb. 1**



Modifications reserved  
 Änderungen vorbehalten  
 Modifications réservées  
 Salvo modificaciones

| Pos. | Part Number   | Description              | Pos. | Part Number | Description |
|------|---------------|--------------------------|------|-------------|-------------|
| 1    | 2 610 993 898 | Motor Housing            |      |             |             |
| 2    | 2 610 352 766 | Field                    |      |             |             |
| 3    | 2 610 352 765 | Armature                 |      |             |             |
| 4    | 2 610 910 115 | Switch                   |      |             |             |
| 5    | 2 610 352 776 | Power supply cord        |      |             |             |
| 5/1  | 2 610 352 788 | Terminal                 |      |             |             |
| 5/2  | 2 610 318 744 | Terminal                 |      |             |             |
| 6    | 2 610 313 327 | Grommet                  |      |             |             |
| 8    | 2 610 995 446 | Reference Plate          |      |             |             |
| 13   | 2 610 351 861 | Ball Bearing             |      |             |             |
| 14   | 1 619 P01 511 | Deep-Groove Ball Bearing |      |             |             |
| 16   | 2 610 320 548 | Carbon Brush Holder      |      |             |             |
| 18   | 1 619 P01 508 | Screw                    |      |             |             |
| 20   | 2 610 931 268 | Retaining snap ring      |      |             |             |
| 26   | 2 610 352 774 | Ring                     |      |             |             |
| 27   | 2 610 356 794 | Air Guide Plate          |      |             |             |
| 28   | 2 610 352 805 | Felt Seal                |      |             |             |
| 29   | 2 610 352 763 | Bell                     |      |             |             |
| 30   | 2 610 038 610 | Cable                    |      |             |             |
| 31   | 2 610 038 852 | Connecting Cable         |      |             |             |
| 35   | 2 610 350 103 | Rubber Buffer            |      |             |             |
| 37   | 2 610 358 001 | Vane                     |      |             |             |
| 38   | 2 610 902 931 | Base                     |      |             |             |
| 39   | 2 610 902 933 | Swing-Plate              |      |             |             |
| 41   | 2 610 902 932 | Lever                    |      |             |             |
| 43   | 2 610 042 699 | Bearing                  |      |             |             |
| 49   | 1 619 X00 504 | Screw                    |      |             |             |
| 50   | 2 610 352 771 | Screw                    |      |             |             |
| 54   | 2 610 352 839 | Lever                    |      |             |             |
| 652  | 2 610 352 782 | Dust Bag                 |      |             |             |
| 653  | 2 610 358 021 | Punching Tool            |      |             |             |
| 810  | 2 610 321 617 | Carbon-Brush Set         |      |             |             |
| 840  | 2 610 352 840 | Base Support             |      |             |             |